



# Zip HydroTap Celsius Arc

**FILTERED: BOILING**  
**UNFILTERED: HOT & COLD**

Make life in the kitchen a whole lot easier with the HydroTap Celsius Arc, offering you instant filtered boiling water alongside unfiltered hot and cold water for washing up. Featuring our market-leading 0.2 micron MicroPurity filtration technology, the Celsius Arc offers 25 times more effective filtration than a standard water filter jug - making it the best of any instant filtered water tap in the world. For those with small children, the Celsius Arc is designed to be completely safe and easy to use, with boiling water safety locks and cool touch technology. What's more, the HydroTap features superior technology to conserve water while saving energy and time.



Actual product may vary slightly depending on functionality.  
The image shown is a representation only.

**STANDARD**



**PLATINUM**



MODEL	MIXED HOT AND COLD	FILTRATION 0.2 MICRON	FONT	CO <sub>2</sub>	NOMINAL POWER RATING KW	COMMAND CENTRE DIMENSIONS W X D X H
H5886Z00UK	Y	Y	N	N	1.43 kW @ 230V AC	280mm x 313mm x 333mm

For details of the alternative tap finishes and accessories please see the 'Accessories' section

## Features and benefits

### Advanced filtration

Maintains existing protective levels of chlorine whilst removing sediment and cysts. This level of filtration includes the removal of dirt, lead, microplastics & 99.9% of microbiological cysts.

### Environmentally conscious operation

The HydroTap boasts a range of eco-friendly functionalities, including water conserving air cooling technology, the use of zero-impact refrigerant gas R290 and energy saving sleep modes.

### Unique user-safety options

The Zip HydroTap is designed with safety in mind, with boiling isolation, cool touch tap and safety lock features. The boiling point is factory set to 98 degrees celsius, to avoid spluttering steam.

### Enhanced hygiene

The 5th generation HydroTap command centre has SteriTouch<sup>®</sup> embedded throughout the water path. This reduces surface bacteria by 99.99% providing extra protection.

### Five year warranty

This system is covered by a comprehensive full parts and labour warranty for 36 months, with an additional 24 months boiling tank cover.

## Product detail

---

### Specification type

Product code	H5886Z00UK
Product name	HydroTap G5 Celsius Arc boiling bright chrome for home

---

### Capacity, weights & dimensions

Water functions	Boiling
Unit dimension (W x D x H)	280mm x 313mm x 333mm
Product weight - empty / full	11kg / 13kg

---

### Plumbing

Wholesome water inlet supply required	Hot & Cold Feed
Supply pressure range	1.7bar - 5bar
Supply connection (hot & cold)	1 x isolated 1/2" BSP BSP fitting (flexible supply hoses included)
Installation	Must comply with current water supply regulations

---

The minimum water pressure will vary if a limescale filter is installed. Please contact us to discuss your requirements.

**Suitable drainage to trapped waste within 1 metre required for both on font and sink installations.**

### Electrical

Command centre power rating	1.43 kW @ 230V AC
Voltage supply	13 amp amps
Power supply requirements	1 x 13amp socket outlet
Cable length	1.8m fitted with UK standard 3-pin plug
Installation	Must comply with current IEE regulations

---

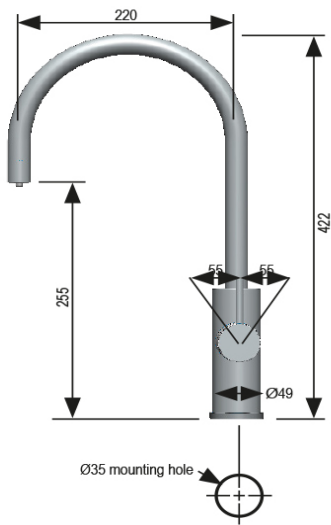
## Tap design

Style	HydroTap Celsius Arc
Finish	Bright Chrome
Installation hole cut size	35mm
Rotation	180 degree
Disability options	No
Country of Origin	Australia

## Command centre

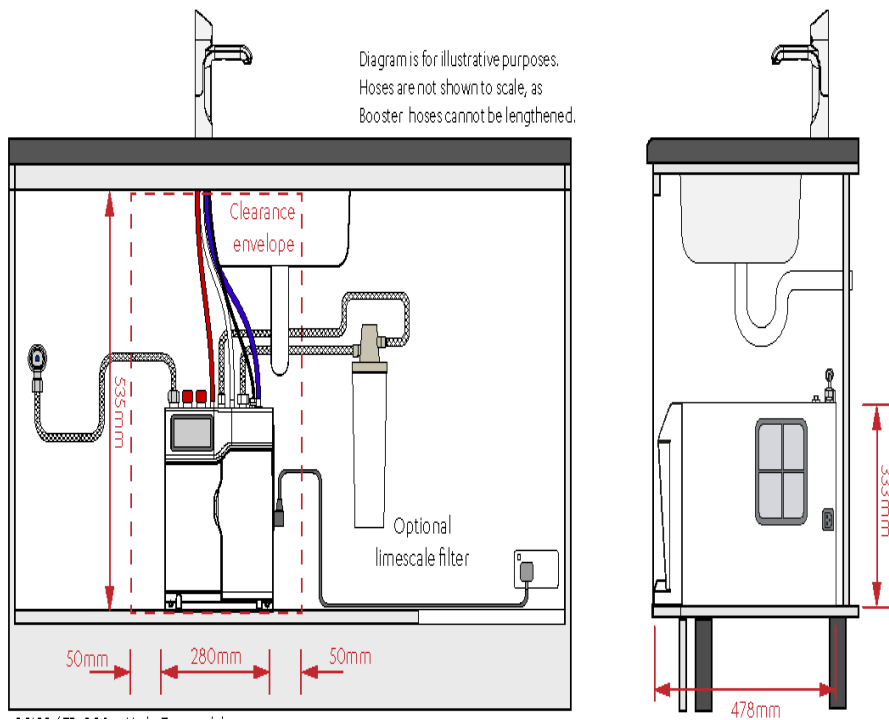
Factory temperature boiling	98°C
Filtration	0.2 Micron Filter Cartridge
Flow rate (Boiling)	4 l/min
Wholesome water supply requirements	Hot & Cold Feed
Tank material	PPS
Country of origin	Australia

## Tap installation



## Under-counter unit installation


Clearance space required  
for under counter unit



## Accessories

---

Visit [specify.zipwater.co.uk](https://specify.zipwater.co.uk) to find out more information about Zip HydroTap Celsius Arc Accessories

Image	SKU	Title
	FL170 KIT	Limescale prevention filter kit for home 1,700 litres

---