

iQ700, Built-in steamer, 60 x 45 cm, Stainless steel CD634GAS0B



The compact steamer for delicious, low-fat, healthy food preparation.

- ✓ The full steam function: making it simple to cook healthy and delicious meals
- ✓ Automatic programs ensure excellent results - cookControl20
- ✓ TFT Display: good readability from any perspective.
- ✓ Halogen-Illumination: for precise lighting.
- ✓ softMove: gentle opening and closing of the oven door.

Features

Technical Data

Color / Material Front : Stainless steel
 Construction type : Built-in
 Required niche size for installation (HxWxD) : 450-455 x 560-568 x 550
 Dimensions : 455 x 594 x 548
 Dimensions of the packed product (HxWxD) (mm) : 530 x 660 x 690
 Control Panel Material : Stainless steel
 Door Material : Glass
 Net weight (kg) : 22.131
 Approval certificates : CE, VDE
 Length of electrical supply cord (cm) : 150
 EAN code : 4242003833261
 Connection rating (W) : 1750
 Current (A) : 10
 Voltage (V) : 220-240
 Frequency (Hz) : 50; 60
 Plug type : GB plug
 Approval certificates : CE, VDE

Optional accessories

HZ915003
 HZ66X650
 HZ66X600



iQ700, Built-in steamer, 60 x 45 cm, Stainless steel CD634GAS0B

Features

Design

- 2.8" TFT Display
- Drop down oven door, softClose, softOpen
-
- Cavity inner surface: stainless steel
- Stainless steel control dial
- 1 interior light, Light on/off when door opened/closed
- Bar handle
- We recommend you to choose complementary products within IQ700, in order to assure an optimal design combination of your Built-In appliances.

Features

- 3 shelf positions
- Control panel lock
- Automatic safety switch off
- Start button
- Door contact switch
-
- cookControl, 20
- Electronic oven clock timer
- Tank empty indicator
- Digital temperature display with proposal
- Actual temperature display
- Heating-up indicator
- cookControl
-
- Integral cooling fan

Cleaning

- Full glass inner door

Programmes/functions

- Automatic programmes

Accessories

- 1 x steam container, punched, size L, 1 x steam container, unpunched, size L, 1 x sponge

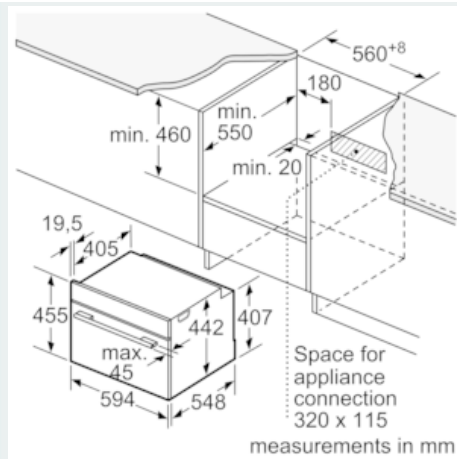
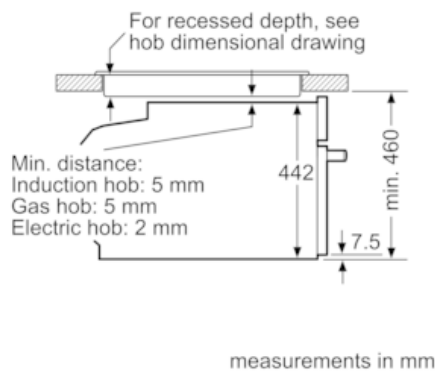
Performance/technical information

- Cavity volume: 38 litres
- 1.3 l Water tank capacity:
- Location of water tank: Inside cavity
- Power cord length 150 cm Cable length
- Total connected load electric: 1.75 KW
- Nominal voltage: 220 - 240 V
- Appliance dimension (hwxwd): 455 mm x 594 mm x 548 mm
- Please refer to the dimensions provided in the installation manual

iQ700, Built-in steamer, 60 x 45 cm, Stainless steel CD634GAS0B

Dimensioned drawings

Installation with a hob.



If the compact appliance will be installed underneath a hob, the following worktop thicknesses (including substructure if necessary) must be taken into account.

Hob type	min. worktop thickness	
	fitted	flush
Induction hob	42 mm	43 mm
Full surface Induction hob	52 mm	53 mm
Gas hob	32 mm	43 mm
Electric hob	32 mm	35 mm

