

iQ100, Built-in fridge-freezer with freezer at bottom, 177.2 x 54.1 cm, sliding hinge KI87VNSE0G



Optional accessories

- GS6BZR00 Box-in-Freezer-Box
- KS6BZR00 Bottle Rack
- KSGGZM00 Butter box

Built-in refrigerator-freezer with lowFrost for less defrosting effort.

- ✓ Fresh – Convenient storage for your fruit and vegetables.
- ✓ autoAirflow – Ideal air circulation for even cooling at all levels, maintaining longer freshness.
- ✓ LED light – Even lighting throughout the inside of your fridge to keep everything in view.
- ✓ safetyGlass shelves – Extra strong and easy to clean.
- ✓ freshSense – Maintains the inside temperature to keep food fresh for longer

Features

Technical Data

Energy Efficiency Class: E
 Average annual energy consumption in kilowatt hour per year (kWh/a): 216 kWh/annum
 Sum of volume of frozen compartments: 70 l
 Sum of volume of chill compartments: 200 l
 Airborne acoustical noise emissions : 35 dB(A) re 1 pW
 Airborne acoustical noise emission class: B
 Design: Built-in
 Door panel options: Not possible
 Height: 1772 mm
 Width of the appliance: 541 mm
 Dimensions: 548 mm
 Min. required niche size for installation (HxWxD): 1775.0 x 560 x 550 mm
 Weight: 50.8 kg
 Fuse protection: 10 A
 Door opening: Right reversible
 Nominal power: 220-240 V
 Frequency: 50 Hz
 Length of electrical supply cord: 230.0 cm
 Number of compressors: 1
 Number of independent cooling systems: 1
 Interior ventilator: No
 Reversible Door Hinge: Yes
 Number of Adjustable Shelves in fridge compartment (Stck): 4
 Shelves for Bottles: No
 Frost free system: No
 Installation type: not available



iQ100, Built-in fridge-freezer with freezer at bottom, 177.2 x 54.1 cm, sliding hinge KI87VNSE0G

Features

- Built-in fridge-freezer combination
- easy Installation

Performance and Consumption

- EU19_EEK_D: E
- Total Volume : 270 l
- Annual Energy Consumption: 216 kWh/a
- EU19_Fast freezer facility_D
- Noise Level : 35 dB , EU19_Noise emission class_D: B

Functions

- Bright interior LED fridge light in fridge section

Design features

- Electronic control (LED chain)
- Super Cooling: No
- Acoustic open door warning system

Design features

- Net Fridge Volume : 200 l
- 5 safety glass shelves of which 4 are height adjustable
- Door shelves in fridge door: 1 large and 3 small.

Freshness System

- 1 vegetable/salad container

Food freshness system

- Net Freezer Volume : 70 l
- lowFrost - less ice creation and therefore quicker defrosting
- Freezing capacity 24h : 3.2 kg
- Temperature rise time : EU19_Temperature rise time_D: 12 H
- SuperFreeze with Manual/automatic activation
- 2 freezer drawers

Dimension and installation

- Dimensions: 177.2 cm H x 54.1 cm W x 54.8 cm D
- Niche Dimensions: 177.5 cm H x 56 cm W x 55 cm D

Key features - Fridge section

- Right hinged door, door reversible
- 220 - 240 V
- Length of power cord: 230 cm
- Climate Class: SN-ST

Country Specific Options

- Based on the results of the standard 24-hour test. Actual consumption depends on usage/position of the appliance.

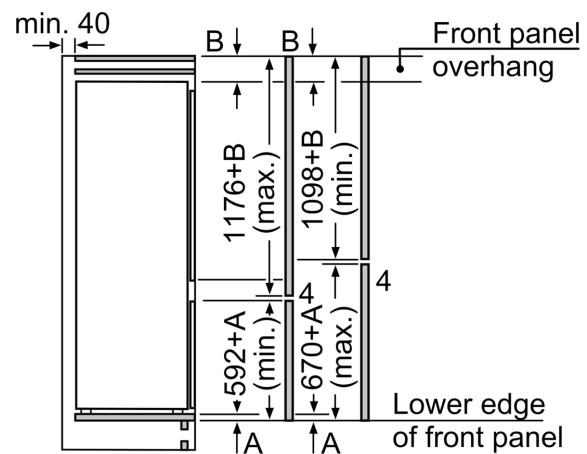
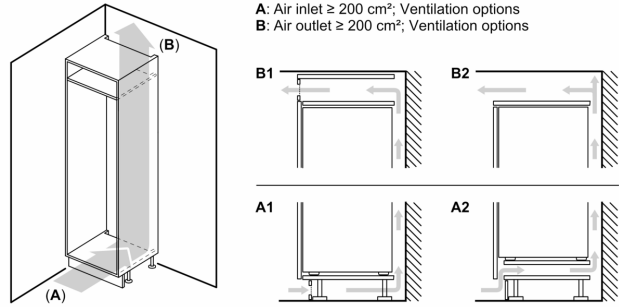
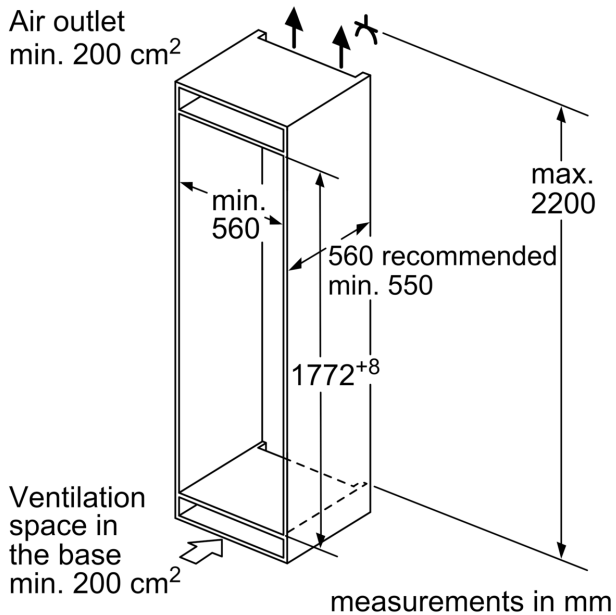
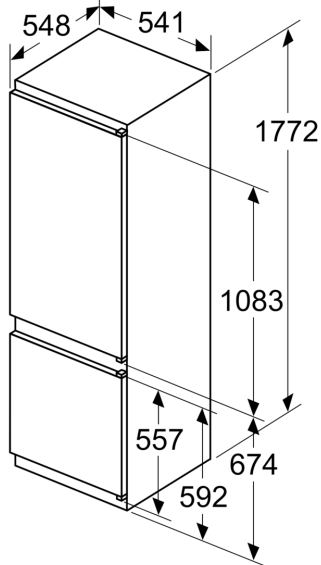
Key features - Freezer section

- 3 x egg tray, 2 x ice cube tray

**iQ100, Built-in fridge-freezer with
freezer at bottom, 177.2 x 54.1
cm, sliding hinge
KI87VNSE0G**

Dimensioned drawings

measurements in mm



The specified unit door dimensions are valid for a door gap of 4 mm.
measurements in mm