

iQ300, Built-in fridge-freezer with freezer at bottom, 193.5 x 55.8 cm, flat hinge KI96NVFD0



The extra large built-in fridge freezer with 12% more cooling volume including hyperFresh <0°C> system, No Frost and fast cooling and freezing functions for optimal storage.

- ✓ hyperFresh <0°C> – More space for fruit and vegetables. Dedicated storage for fish and meat.
- ✓ LED light – Even lighting throughout the inside of your fridge to keep everything in view.
- ✓ noFrost – Never defrost your freezer again.
- ✓ autoAirflow – Ideal air circulation for even cooling at all levels, maintaining longer freshness.
- ✓ superFreezing – Quick-freeze even large amounts of food.

Features

Technical Data

Energy Efficiency Class:	D
Average annual energy consumption in kilowatt hour per year (kWh/a):	184 kWh/annum
Sum of volume of frozen compartments:	75 l
Sum of volume of chill compartments:	215 l
Airborne acoustical noise emissions :	34 dB(A) re 1 pW
Airborne acoustical noise emission class:	B
Design:	Built-in
Door panel options:	Possible but accessory
Height:	1935 mm
Width of the appliance:	558 mm
Dimensions:	548 mm
Min. required niche size for installation (HxWxD):	1940 x 560 x 550 mm
Weight:	60.9 kg
Fuse protection:	10 A
Door opening:	Right reversible
Nominal power:	220-240 V
Frequency:	50 Hz
Length of electrical supply cord:	230.0 cm
Number of compressors:	1
Number of independent cooling systems:	2
Interior ventilator:	No
Reversible Door Hinge:	Yes
Number of Adjustable Shelves in fridge compartment (Stck):	3
Shelves for Bottles:	Yes
Frost free system:	Freezer
Installation type:	Fully integrated

Optional accessories

KSGGZM00 Butter box



iQ300, Built-in fridge-freezer with freezer at bottom, 193.5 x 55.8 cm, flat hinge KI96NVFD0

Features

Design features

- Right hinged door, door reversible
- Height adjustable front feet
- Bright interior LED fridge light in fridge section
- Electronic control (2 LED chains)
- easy Installation

Functions

- Automatic defrost in fridge section
- NO_FROST_NEU_BL, never have to defrost ever again
- superFreeze function with automatic deactivation
- Optical and acoustical door open warning system

Food freshness system

- 1 hyperFresh box with integrated humidity control

Key features - Fridge section

- 4 safety glass shelves of which 3 are height adjustable
- Bottle rack
- 4 door bins

Key features - Freezer section

- 3 freezer drawers

Additional features

- 3 x egg tray, 2 x ice cube tray

Performance and Consumption

- Climate Class: SN-ST
- Total Volume : 290 l
- Net Fridge Volume : 215 l
- Net Freezer Volume : 75 l
- Annual Energy Consumption: 184 kWh/a
- Noise Level : 34 dB , EU19_Noise emission class_D: B
- Temperature rise time : EU19_Temperature rise time_D: 11 H
- Freezing capacity 24h : 8 kg
- 220 - 240 V
- EU19_EEK_D: D
- EU19_Fast freezer facility_D
- Based on the results of the standard 24-hour test. Actual consumption depends on usage/position of the appliance.

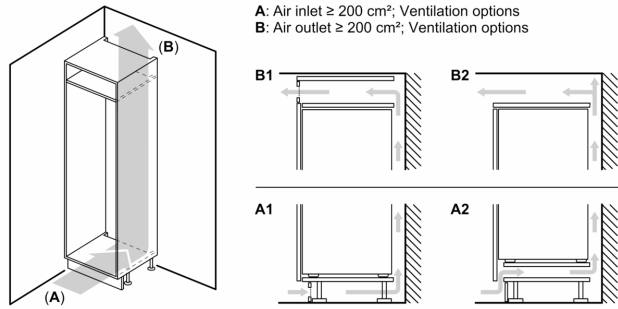
Dimension and installation

- Dimensions: 193.5 cm H x 55.8 cm W x 54.8 cm D
- Niche Dimensions: 194 cm H x 56 cm W x 55 cm D
- Length of power cord:230 cm

Country Specific Options

iQ300, Built-in fridge-freezer with freezer at bottom, 193.5 x 55.8 cm, flat hinge KI96NVFD0

Dimensioned drawings



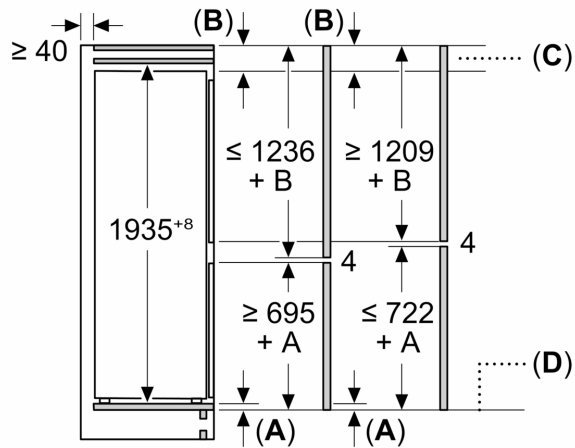
Maximal permissible weight of the unit fronts

Fitted unit fronts that exceed the permissible weight may cause damage and result in functional impairment of the hinges

Δ Weight
 A: Appliance door height including hinges in mm
 B: Undamped hinge, unit front in kg
 C: Damped hinge, unit front in kg
 D: Additional possible load in kg with heavy load kit

A	B	C	D
1500-1750	22	22	
720-1400	19	19	B+5 / C+5
A1	15	19	
A2	15	19	

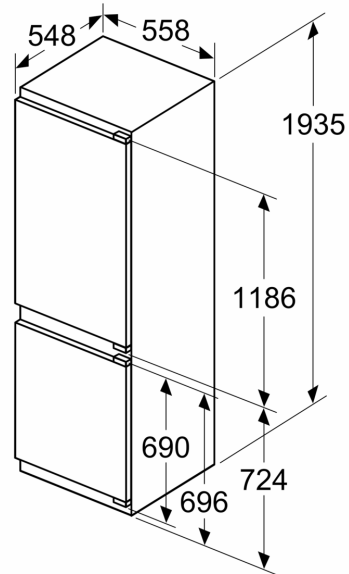
Measurements in mm



C: Front panel overhang

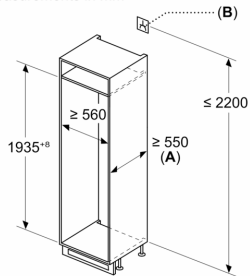
D: Lower edge of front panel

Measurements in mm



Dimensioned drawings

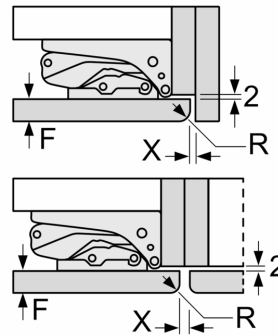
Measurements in mm



A: ≥ 560 mm (recommended)
B: Socket

measurements in mm

Recommended gap dimensions for flat hinges



F	R	X
16-19	0-3	2.5
20	0-1	3
	2-3	2.5
21	0-1	3
	2-3	2.5
22	0	4
	1	3.5
	2-3	3

The gap dimensions recommended in the table must be adhered to in order to ensure that appliance doors do not collide with anything when they are opened, and to avoid causing damage to kitchen units.