

iQ100, Built-in fridge, 177.5 x 56 cm, sliding hinge KI81RNSE0G



The spacious built-in fridge with Fresh drawer for fruit and vegetables and bright LED light provides ideal storage for all your food.

- ✓ LED light – Even lighting throughout the inside of your fridge to keep everything in view.
- ✓ superCooling – Reduces the temperature for a set time, to quickly cool down fresh food items.
- ✓ safetyGlass shelves – Extra strong and easy to clean.

Features

Technical Data

Energy Efficiency Class: E
 Average annual energy consumption in kilowatt hour per year (kWh/a): 114 kWh/annum
 Sum of volume of frozen compartments: 0 l
 Sum of volume of chill compartments: 310 l
 Airborne acoustical noise emissions : 35 dB(A) re 1 pW
 Airborne acoustical noise emission class: B
 Design: Built-in
 Door panel options: Not possible
 Height: 1772 mm
 Width of the appliance: 541 mm
 Dimensions: 548 mm
 Min. required niche size for installation (HxWxD): 1775.0 x 560 x 550 mm
 Weight: 50.4 kg
 Fuse protection: 10 A
 Door opening: Right reversible
 Nominal power: 220-240 V
 Frequency: 50 Hz
 Length of electrical supply cord: 230.0 cm
 Number of compressors: 1
 Number of independent cooling systems: 1
 Interior ventilator: Yes
 Reversible Door Hinge: Yes
 Number of Adjustable Shelves in fridge compartment (Stck): 5
 Shelves for Bottles: No
 EAN code: 4242003933138
 Brand: Siemens
 Product name / Commercial code: KI81RNSE0G
 Product category: Upright fridge
 Frost free system: No
 Installation type: Fully integrated
 Included accessories: 3 x egg tray



Included accessories	
3 x egg tray	
Optional accessories	
KS6BZR00	Bottle Rack
KSGGZM00	Butter box

iQ100, Built-in fridge, 177.5 x 56 cm, sliding hinge KI81RNSE0G

Features

- Built-in fridge
- easy Installation
- Sliding hinge - Easy installation, softClosing door: No

Performance and Consumption

- EU19_EEK_D: E
- Total Volume : 310 l
- Net Fridge Volume : 310 l
- Annual Energy Consumption: 114 kWh/a
- Noise Level : 35 dB , EU19_Noise emission class_D: B

Functions

- Bright interior LED fridge light in fridge section

Design features

- Electronic control (LED chain)
- Super Cooling: automatic deactivation

Design features

- 7 safety glass shelves in fridge compartment of which 5 are height adjustable
- 2 removable door storage compartments.

Freshness System

- 2 vegetable/salad containers

Food freshness system

Dimension and installation

- Dimensions: 177.2 cm H x 54.1 cm W x 54.8 cm D
- Niche Dimensions: 177.5 cm H x 56 cm W x 55 cm D

Key features - Fridge section

- Length of power cord:230 cm
- Climate Class: SN-ST
- 220 - 240 V

Key features - Freezer section

- 3 x egg tray

Country Specific Options

- Based on the results of the standard 24-hour test. Actual consumption depends on usage/position of the appliance.

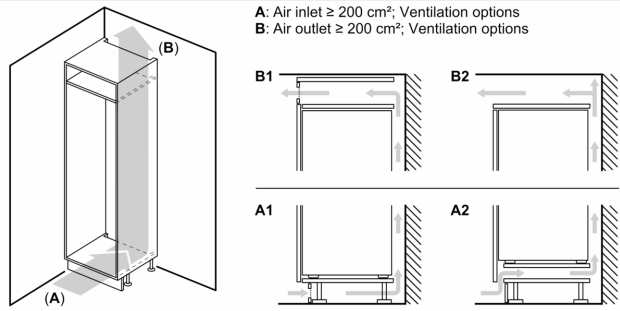
Design features

Dimension and installation

Additional features

**iQ100, Built-in fridge, 177.5 x 56 cm, sliding hinge
KI81RNSE0G**

Dimensioned drawings



Measurements in mm

