

iQ300, Built-in fridge, 177.5 x 56 cm, flat hinge KI81RVFE0G



The built-in fridge with Fresh drawer for fruit and vegetables, fast cool down function and bright LED light provides ideal storage.

- ✓ LED light – Even lighting throughout the inside of your fridge to keep everything in view.
- ✓ superCooling – Reduces the temperature for a set time, to quickly cool down fresh food items.
- ✓ bottleRack – Store your bottles safely and within easy reach.
- ✓ safetyGlass shelves – Extra strong and easy to clean.

Features

Technical Data

Energy Efficiency Class: E
 Average annual energy consumption in kilowatt hour per year (kWh/a): 114 kWh/annum
 Sum of volume of frozen compartments: 0 l
 Sum of volume of chill compartments: 310 l
 Airborne acoustical noise emissions : 35 dB(A) re 1 pW
 Airborne acoustical noise emission class: B
 Design: Built-in
 Door panel options: Not possible
 Height: 1772 mm
 Width of the appliance: 541 mm
 Dimensions: 548 mm
 Min. required niche size for installation (HxWxD): 1775.0 x 560 x 550 mm
 Weight: 52.3 kg
 Fuse protection: 10 A
 Door opening: Right reversible
 Nominal power: 220-240 V
 Frequency: 50 Hz
 Length of electrical supply cord: 230.0 cm
 Number of compressors: 1
 Number of independent cooling systems: 1
 Interior ventilator: Yes
 Reversible Door Hinge: Yes
 Number of Adjustable Shelves in fridge compartment (Stck): 5
 Shelves for Bottles: Yes
 EAN code: 4242003933367
 Brand: Siemens
 Product name / Commercial code: KI81RVFE0G
 Product category: Upright fridge
 Frost free system: No
 Installation type: Fully integrated
 Included accessories: 3 x egg tray, 1 x Heavy-duty hinge support



Included accessories

3 x egg tray, 1 x Heavy-duty hinge support

Optional accessories

KSGGZM00 Butter box

iQ300, Built-in fridge, 177.5 x 56 cm, flat hinge KI81RVFEOG

Features

- Built-in fridge
- easy Installation
- Fixed hinge, softClosing door: No

Performance and Consumption

- EU19_EEK_D: E
- Total Volume : 310 l
- Annual Energy Consumption: 114 kWh/a
- Noise Level : 35 dB , EU19_Noise emission class_D: B

Functions

- Bright interior LED fridge light in fridge section

Design features

- Electronic control (LED chain)
- Super Cooling: automatic deactivation
- Optical and acoustical door open warning system

Design features

- Net Fridge Volume : 310 l
- 7 safety glass shelves in fridge compartment of which 5 are height adjustable
- Door shelves in fridge door: 2 large and 3 small.
- Bottle rack

Freshness System

- 2 vegetable/salad containers

Food freshness system

Dimension and installation

- Dimensions: 177.2 cm H x 54.1 cm W x 54.8 cm D
- Niche Dimensions: 177.5 cm H x 56 cm W x 55 cm D

Key features - Fridge section

- Length of power cord:230 cm
- Climate Class: SN-ST
- 220 - 240 V

Key features - Freezer section

- Heavy-duty hinge support, 3 x egg tray

Country Specific Options

- Based on the results of the standard 24-hour test. Actual consumption depends on usage/position of the appliance.

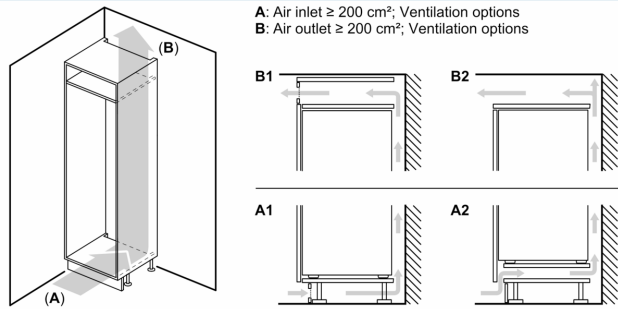
Design features

Dimension and installation

Additional features

iQ300, Built-in fridge, 177.5 x 56 cm, flat hinge
KI81RVFE0G

Dimensioned drawings



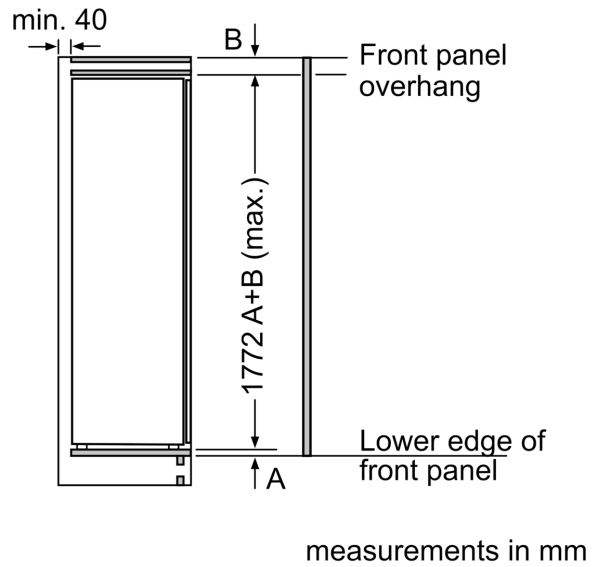
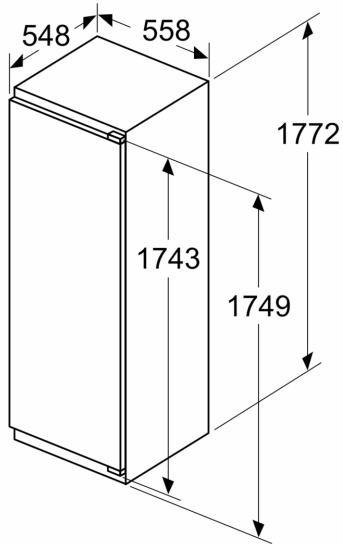
Maximal permissible weight of the unit fronts

Fitted unit fronts that exceed the permissible weight may cause damage and result in functional impairment of the hinges

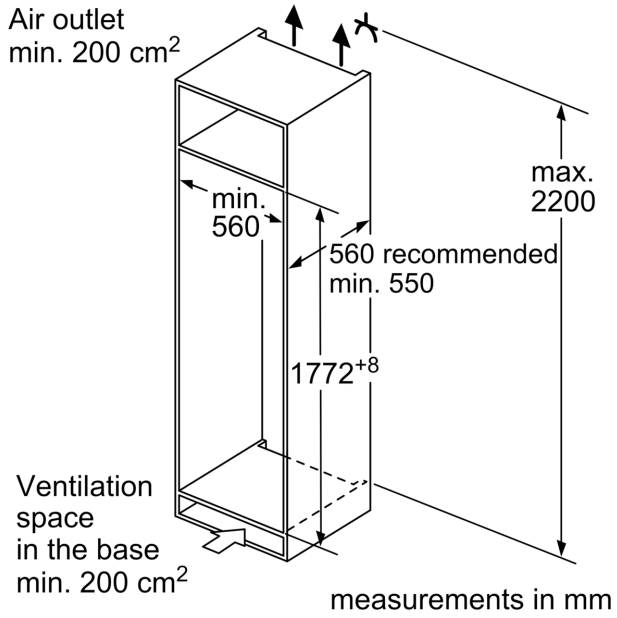
Weight
A: Appliance door height including hinges in mm
B: Undamped hinge, unit front in kg
C: Damped hinge, unit front in kg
D: Additional possible load in kg with heavy load kit

A	B	C	D
1500-1750	22	22	B+5 / C+5
720-1400	19	19	
A1	15	19	
A2	15	19	

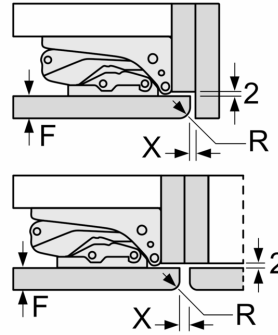
Measurements in mm



Dimensioned drawings



measurements in mm
Recommended gap dimensions for flat hinges



F	R	X
16-19	0-3	2.5
20	0-1	3
	2-3	2.5
21	0-1	3
	2-3	2.5
22	0	4
	1	3.5
	2-3	3

The gap dimensions recommended in the table must be adhered to in order to ensure that appliance doors do not collide with anything when they are opened, and to avoid causing damage to kitchen units.