



Zip HydroTap Cube Plus

FILTERED: BOILING

The HydroTap Cube Plus delivers your choice of pure tasting instant filtered boiling water at the touch of a button. A contemporary twist on a classic, the HydroTap Cube Plus fits perfectly in modern kitchens. Make a design statement with this Arne Jacobsen inspired tap.



Actual product may vary slightly depending on functionality.
The image shown is a representation only.

STANDARD



PLATINUM



MODEL	MIXED HOT AND COLD	FILTRATION 0.2 MICRON	FONT	CO ₂	NOMINAL POWER RATING KW	COMMAND CENTRE DIMENSIONS W X D X H
H5C786Z09UK	N	Y	Y	N	1.43 kW @ 230V AC	280mm x 313mm x 335mm

For details of the alternative tap finishes and accessories please see the 'Accessories' section

Features and benefits

Advanced filtration

Maintains existing protective levels of chlorine whilst removing sediment and cysts. This level of filtration includes the removal of dirt, lead, microplastics & 99.9% of microbiological cysts.

Environmentally conscious operation

The HydroTap boasts a range of eco-friendly functionalities, including water conserving air cooling technology, the use of zero-impact refrigerant gas R290 and energy saving sleep modes.

Unique user-safety options

The Zip HydroTap is designed with safety in mind, with boiling isolation, cool touch tap and safety lock features. The boiling point is factory set to 98 degrees celsius, to avoid spluttering steam.

Enhanced hygiene

The 5th generation HydroTap command centre has SteriTouch[®] embedded throughout the water path. This reduces surface bacteria by 99.99% providing extra protection.

Five year warranty

This system is covered by a comprehensive full parts and labour warranty for 36 months, with an additional 24 months boiling tank cover.



Product detail

Specification type

Product code	H5C786Z09UK
Product name	HydroTap G5 Cube Plus boiling gunmetal for home

Capacity, weights & dimensions

Water functions	Boiling
Unit dimension (W x D x H)	280mm x 313mm x 335mm
Product weight - empty / full	11kg / 13kg

Plumbing

Wholesome water inlet supply required	Cold Feed
Supply pressure range	1.7bar - 5bar
Supply connection (hot & cold)	1 x isolated 1/2" BSP BSP fitting (flexible supply hoses included)
Installation	Must comply with current water supply regulations

The minimum water pressure will vary if a limescale filter is installed. Please contact us to discuss your requirements.

Suitable drainage to trapped waste within 1 metre required for both on font and sink installations.

Electrical

Command centre power rating	1.43 kW @ 230V AC
Voltage supply	13 amp amps
Power supply requirements	1 x 13amp socket outlet
Cable length	1.8m fitted with UK standard 3-pin plug
Installation	Must comply with current IEE regulations

Tap design

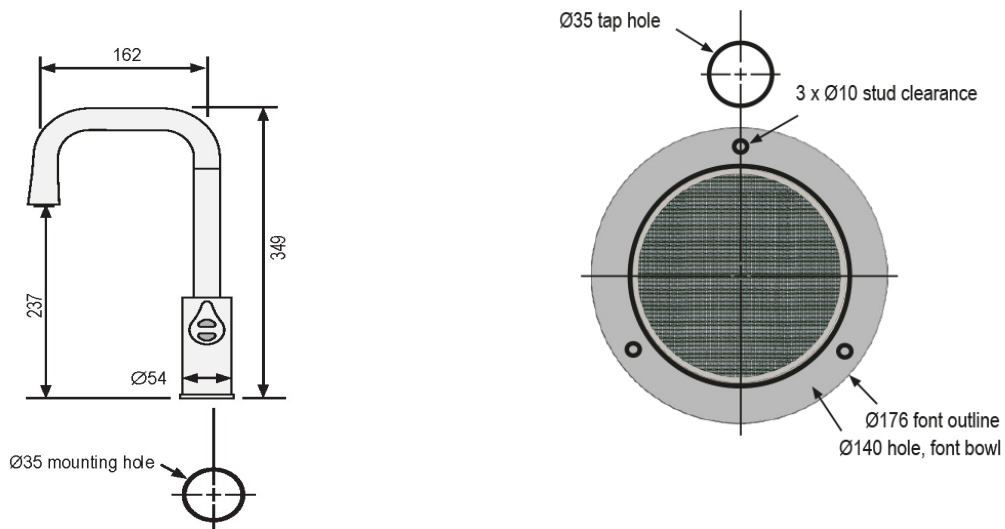
Style	HydroTap Cube Plus
Finish	Gunmetal
Installation hole cut size	35mm
Rotation	Fixed
Disability options	No
Country of Origin	Australia

Command centre

Factory temperature boiling	98°C
Filtration	0.2 Micron Filter Cartridge
Flow rate (Boiling)	4 l/min
Wholesome water supply requirements	Cold Feed
Tank material	PPS
Country of origin	Australia

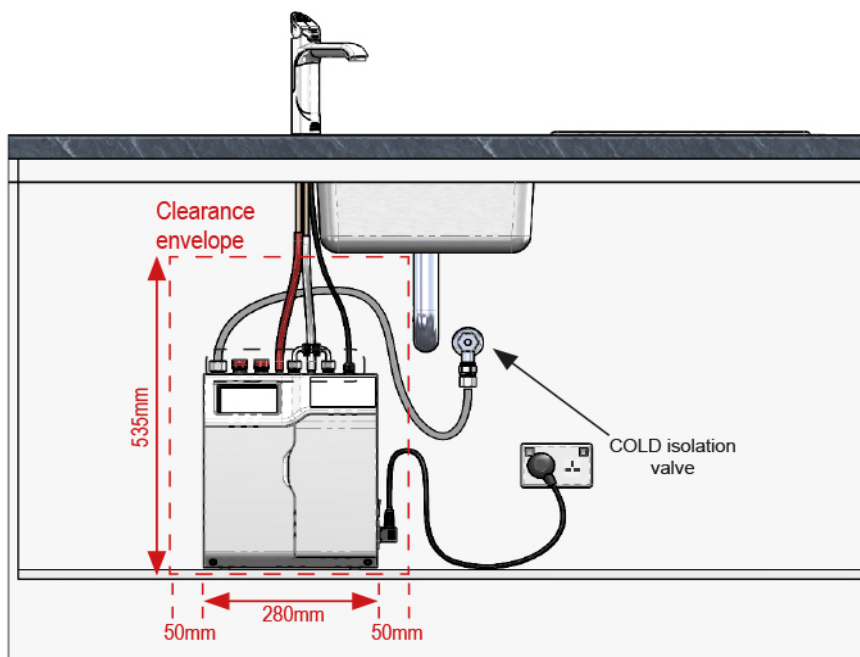
Tap installation

CUBE PLUS HYDROTAP





Under-counter unit installation

Clearance space required
for under counter unit



Accessories

Visit specify.zipwater.co.uk to find out more information about Zip HydroTap Cube Plus Accessories

Image	SKU	Title
	93441Z9UK	Stand alone font for HydroTap Arc gunmetal
	FL170 KIT	Limescale prevention filter kit for home 1,700 litres