



# Zip HydroTap Touch-Free Wave

**FILTERED: BOILING CHILLED**

The HydroTap Touch Free Wave offers the ultimate in convenience for the everyday kitchen, with users able to operate the tap with a simple wave of the hand. A 100% contactless solution for filtered boiling, chilled and sparkling water, the HydroTap's command centre also features SteriTouch® in key components of the water path to reduce surface bacteria by 99.9% and has safety features to ensure water flow will stop immediately if the tap is grabbed or touched.



Actual product may vary slightly depending on functionality.  
The image shown is a representation only.

MODEL	MIXED HOT AND COLD	FILTRATION 0.2 MICRON	FONT	CO <sub>2</sub>	NOMINAL POWER RATING KW	COMMAND CENTRE DIMENSIONS W X D X H
H5W784Z00UK	N	Y	Y	N	1.55 kW @ 230V AC	280mm x 478mm x 333mm

For details of the accessories please see the 'Accessories' section

## Features and benefits

### Advanced filtration

Maintains existing protective levels of chlorine whilst removing sediment and cysts. This level of filtration includes the removal of dirt, lead, microplastics & 99.9% of microbiological cysts.

### Environmentally conscious operation

The HydroTap boasts a range of eco-friendly functionalities, including water conserving air cooling technology, the use of zero-impact refrigerant gas R290 and energy saving sleep modes.

### Unique user-safety options

The Zip HydroTap is designed with safety in mind, with boiling isolation, cool touch tap and safety lock features. The boiling point is factory set to 98 degrees celsius, to avoid spluttering steam.

### Enhanced hygiene

The 5th generation HydroTap command centre has SteriTouch® embedded throughout the water path. This reduces surface bacteria by 99.99% providing extra protection.

### Five year warranty

This system is covered by a comprehensive full parts and labour warranty for 36 months, with an additional 24 months boiling tank cover.



## Product detail

---

### Specification type

---

Product code	H5W784Z00UK
Product name	HydroTap G5 Touch Free Wave boiling chilled bright chrome for home

---

### Capacity, weights & dimensions

---

Water functions	Boiling, Chilled
Unit dimension (W x D x H)	280mm x 478mm x 333mm
Product weight - empty / full	21kg / 26kg

---

### Plumbing

---

Wholesome water inlet supply required	Cold Feed
Supply pressure range	1.7bar - 5bar
Supply connection (hot & cold)	1 x isolated 1/2" BSP BSP fitting (flexible supply hoses included)
Installation	Must comply with current water supply regulations

---

The minimum water pressure will vary if a limescale filter is installed. Please contact us to discuss your requirements.

**Suitable drainage to trapped waste within 1 metre required for both on font and sink installations.**

### Electrical

---

Command centre power rating	1.55 kW @ 230V AC
Voltage supply	13 amp amps
Power supply requirements	1 x 13amp socket outlet
Cable length	1.8m fitted with UK standard 3-pin plug
Installation	Must comply with current IEE regulations

---

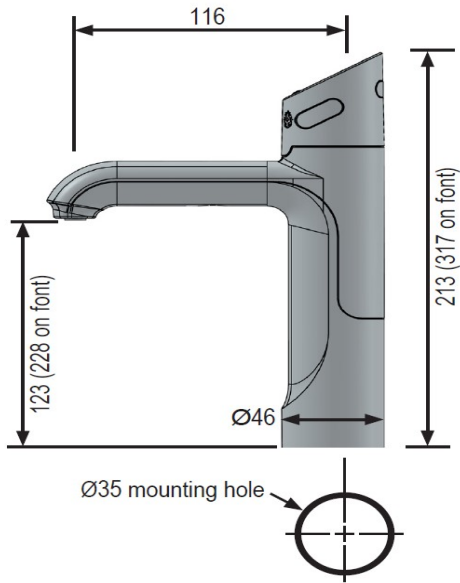
## Tap design

Style	HydroTap Touch-Free Wave
Finish	Bright Chrome
Installation hole cut size	35mm
Rotation	Fixed
Disability options	No
Country of Origin	Australia

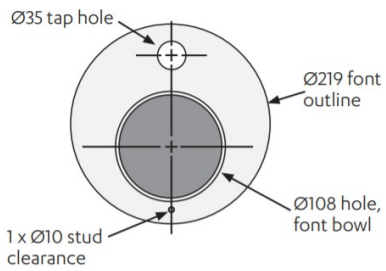
## Command centre

Factory temperature boiling	98°C
Factory temperature chilled	6-10°C
Filtration	0.2 Micron Filter Cartridge
Flow rate (Boiling)	4 l/min
Wholesome water supply requirements	Cold Feed
Refrigerant	R290
Tank material	PPS
Country of origin	Australia

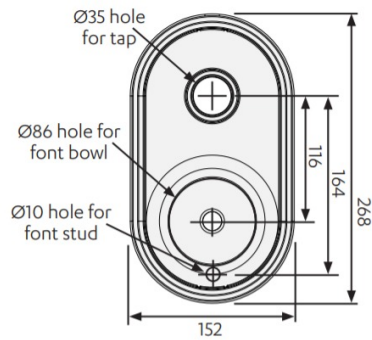
# Tap installation



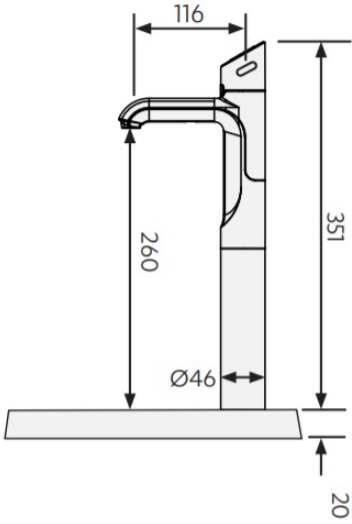
## Integrated font



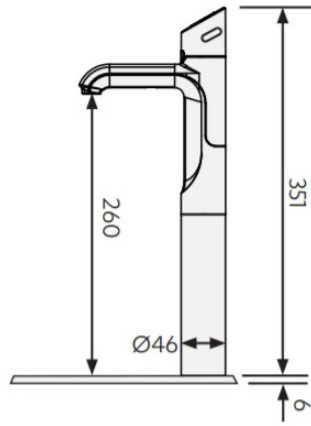
## Raised Font



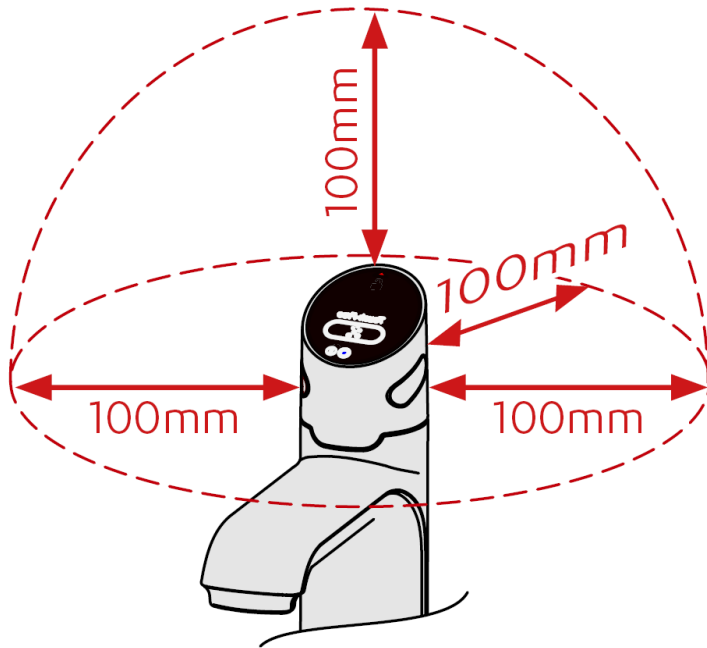
Wave on Raised font



Wave on Classic font

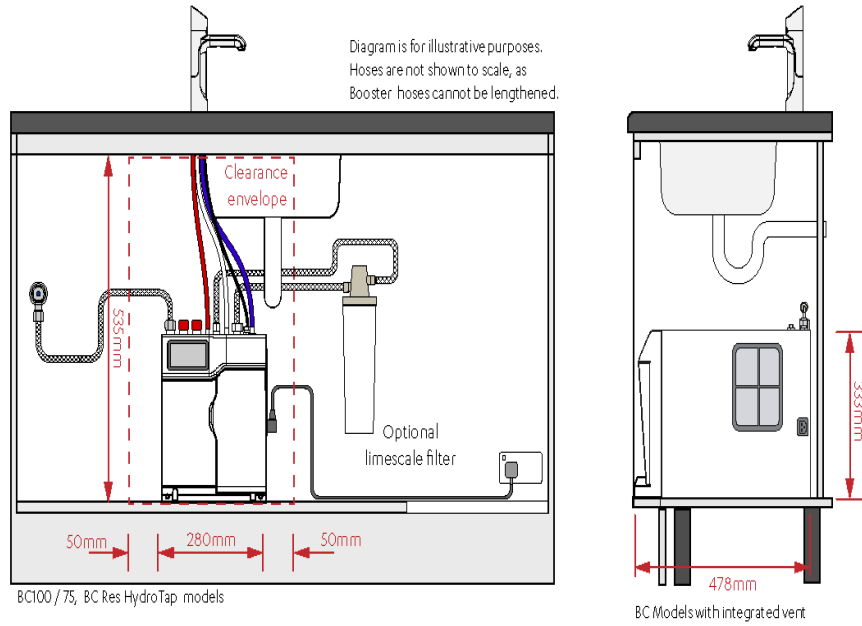


## Tap Clearance



## Under-counter unit installation




Clearance space required  
for under counter unit



## Accessories

---

Visit [specify.zipwater.co.uk](https://specify.zipwater.co.uk) to find out more information about Zip HydroTap Touch-Free Wave Accessories

Image	SKU	Title
	90915UK	Integrated tap font for HydroTap Classic Plus & Wave bright chrome
	95258	Bright chrome G5 raised font kit
	FL170 KIT	Limescale prevention filter kit for home 1,700 litres