

**iQ300, Fully-integrated dishwasher, 45 cm, varioHinge SR93EX24MG**



Excellent wifi-enabled varioHinge dishwasher with program status projection on the floor, operable using a smartphone or voice assistant device.

- ✓ Optimal installation in your kitchen – varioHinge.
- ✓ autoOpen dry – the automatic door opening option for highly efficient drying results
- ✓ Slimline varioFlex basket & varioDrawer – Adjustable racks, multiple loading options.
- ✓ infoLight shines with a blue light on the kitchen floor when running but goes out when the washing and drying cycle is over.
- ✓ Home Connect – Control your smart dishwasher, no matter where you are.

Energy Efficiency Class: .....C  
 Energy Consumption for 100 cycles Eco Programme: ..... 59 kWh  
 Maximum number of place settings: ..... 10  
 The water consumption of the eco programme in liters per cycle: 8.9 l  
 Programme duration: .....3:15 h  
 Airborne acoustical noise emissions : ..... 44 dB(A) re 1pW  
 Airborne acoustical noise emission class: .....B  
 Built-in / Free-standing: ..... Built-in  
 Height of removable worktop: .....0 mm  
 Dimensions of the product: ..... 815 x 448 x 550 mm  
 Min. required niche size for installation (HxWxD): ..815-875 x 450 x 550 mm  
 Depth with open door 90 degree: .....1150 mm  
 Adjustable feet: ..... Yes - all from front  
 Maximum adjustability feet: ..... 60 mm  
 Adjustable plinth: .....Both horizontal and vertical  
 Weight: ..... 31.9 kg  
 Gross weight: ..... 33.7 kg  
 Connection Rating: ..... 2400 W  
 Fuse protection: .....10 A  
 Nominal power: .....220-240 V  
 Frequency: .....60; 50 Hz  
 Length electrical supply cord: ..... 175.0 cm  
 Plug type: ..... GB plug  
 Length inlet hose: ..... 165 cm  
 Length outlet hose: ..... 205 cm  
 EAN code: .....4242003957523  
 Installation type: ..... Fully integrated



|          |  |
|----------|--|
| SZ30BI02 | decorative strips stainless steel 81,5cm |
| SZ34BI00 | Built-in set 45 dishwashers, fully int.  |
| SZ34CB00 | Moveable cutlery basket                  |
| SZ38BI00 | Connection rail for divided furniture    |
| SZ72010  | inlet and outlet hose extention 2 m      |
| SZ73000  | Dishwashing aid set                      |
| SZ73145  | Moveable cutlery basket                  |
| SZ73300  | Wineglass-Tray                           |

## iQ300, Fully-integrated dishwasher, 45 cm, varioHinge SR93EX24MG

### Performance

- Energy Efficiency Class<sup>1</sup>: C
- Energy<sup>2</sup> / Water<sup>3</sup>: 59 kWh / 8.9 litres
- Capacity: 10 place settings
- Programme duration<sup>4</sup>: 3:15 (h:min)
- Noise level: 44 dB(A) re 1 pW
- Noise Efficiency Class: B

### Programmes/functions

- 6 programmes: Eco 50 °C, Auto 45-65 °C, Intensive 70 °C, Speed 65 °C, Speed 45 °C, Favourite
- Default favourite programme: Pre-Rinse
- 4 special options: Remote Start, intensiveZone, HygienePlus, Speed on Demand - varioSpeed Plus
- Add-On functions via Home Connect app: Silence on Demand
- Machine care programme

### Flexible design elements

- varioFlex basket system
- varioDrawer with flex tines
- 3 stage rackMatic height-adjustable top basket
- Low friction wheels on bottom basket
- Anti-slip protection strips in upper basket
- Rack Stopper to prevent derailing of bottom basket
- 2 foldable plate racks in top basket
- 2 foldable plate racks in bottom basket
- Upper rack cup shelf
- Lower rack cup shelf
- Glass rack in bottom basket

### Innovations and technology

- Home Connect ready
- autoOpen dry and Heat Exchanger
- dosageAssist detergent dispenser
- iQDrive motor
- duoPower spray arms
- Automatic detergent-aware system
- hydroSensor
- Glass care protection system

### Design features

- varioHinge 50mm
- Controls on top edge of door
- infoLight (blue) - Light projection on the floor
- DoorOpen Assist for handleless kitchens
- Time delay (3, 6 or 24 hours)
- acoustic end of cycle indicator
- Childlock feature - double push door open
- aquaStop®: Siemens home appliances' warranty in case of water damage – throughout the lifetime of the appliance.\*
- Self-cleaning filter system with 3 piece corrugated filter

- steam protection plate
- Stainless steel interior
- Dimensions (HxWxD): 81.5 x 44.8 x 55cm

<sup>1</sup> Scale of Energy Efficiency Classes from A to G

<sup>2</sup> Energy consumption in kWh per 100 cycles (in programme Eco 50 °C)

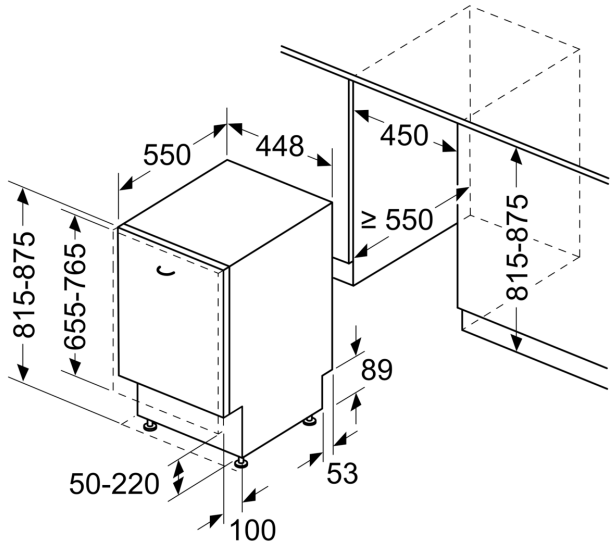
<sup>3</sup> Water consumption in litres per cycle (in programme Eco 50 °C)

<sup>4</sup> Duration of programme Eco 50 °C

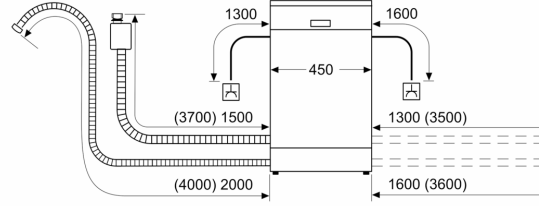
\* Please find warranty terms under <https://www.siemens-home.bsh-group.com/uk/customer-service/warranty/additional-warranties>

**iQ300, Fully-integrated  
dishwasher, 45 cm, varioHinge  
SR93EX24MG**

measurements in mm



measurements in mm



⏏ socket  
( ) values with extension kit