

**iQ700, French door bottom freezer, multi door, 183 x 90.5 cm, Brushed black steel antiFingerprint KF96DPXEA**



The Multi Door fridge freezer combination: where freshness meets intelligent design. Longer fresh with hyperFresh XXL <0°C>, no defrosting anymore due to noFrost, filtered water and ice at the push of a button.

- ✓ hyperFresh <0°C> – More space for fruit and vegetables. Dedicated storage for fish and meat.
- ✓ noFrost – Never defrost your freezer again.
- ✓ Multi purpose shelf: the aluminium shelf that can be used as a bottle or flat rack.
- ✓ doorAlarm – A gentle reminder to keep the door closed.
- ✓ LED light – Even lighting throughout the inside of your fridge to keep everything in view.

Energy Efficiency Class: .....	E
Average annual energy consumption in kilowatt hour per year (kWh/a): .....	327 kWh/annum
Sum of volume of frozen compartments: .....	199 l
Sum of volume of chill compartments: .....	375 l
Airborne acoustical noise emissions : .....	39 dB(A) re 1pW
Airborne acoustical noise emission class: .....	C
Built-in / Free-standing: .....	Freestanding
Door panel options: .....	Not possible
Height: .....	1830 mm
Width of the appliance: .....	905 mm
Dimensions: .....	731 mm
Weight: .....	140.5 kg
Fuse protection: .....	10 A
Door opening: .....	left and right
Nominal power: .....	220-240 V
Frequency: .....	50-60 Hz
Length electrical supply cord: .....	240.0 cm
Number of compressors: .....	1
Number of independent cooling systems: .....	1
Interior ventilator: .....	Yes
Reversible Door Hinge: .....	No
Number of Adjustable Shelves in fridge compartment: .....	4
Shelves for Bottles: .....	Yes
Frost free system: .....	Fridge and freezer
Installation type: .....	Freestanding



## iQ700, French door bottom freezer, multi door, 183 x 90.5 cm, Brushed black steel antiFingerprint KF96DPXEA

- NoFrost, Free standing Multi door fridge freezer
- Standard door Black steel - anti-fingerprint finish

### Performance and Consumption

- EU19\_EEK\_D: E
- Total Volume : 574 l
- Annual Energy Consumption: 327 kWh/a
- Noise Level : 39 dB , EU19\_Noise emission class\_D: C

### Functions

- Black steel - anti-fingerprint finish doors and cast iron side panels
- Plastic Integr. handle hori. and vert.
- Bright interior LED fridge light

### Design features

- NO\_FROST\_NEU\_BL, never have to defrost ever again
- LED display for fridge and freezer
- Home Connect: iService Remote, Remote Monitoring and Control with Wi-Fi connectivity
- Wi-Fi connectivity
- lockable lid
- Interior design with metal applications
- Freezer malfunction warning signal: Acoustic Warning System
- Automatic defrost in fridge section
- Holiday mode, Sabbath Mode
- Freezer malfunction warning signal: optical, acoustical
- Water dispenser: yes, direct conn.water-tap
- Separate temperature control for cooling and freezing section
- Super Cooling: automatic deactivation
- superFreeze function with automatic deactivation
- optical, acoustic for Fridge and Freeze

### Ice and Water

- Illuminated water and ice dispenser
- Automatic ice cube maker
- 4 litre water tank integrated under shelf
- Internal water filter

### Design features

- Net Fridge Volume : 375 l
- Bright interior LED fridge light in fridge section
- multiAirflow cooling - improves circulation of air around the fridge
- 5 safety glass shelves of which 4 are height adjustable, 1 dividable glass shelf 2 shelves extendable
- 1 dividable glass shelf
- Door shelves in fridge door: 1 large and 3 small.
- flexShelf - easy to pull down if required, space saving if not in use
- 1 dairy compartment in door

### Freshness System

- coolBox - extra cold fridge drawer. Ideal to store meat and fish.
- 1 crispBox - vegetable/salad container with humidity control

### Food freshness system

- Net Freezer Volume : 199 l
- Freezing capacity 24h : 16 kg
- NoFrost
- 6 freezer drawers
- EU19\_Fast freezer facility\_D

### Key features - Fridge section

- 4 wheels for easier transport, 3 of them height adjustable.
- Climate Class: SN-T
- 220 - 240 V
- Connection Length (water supply):300 cm
- Length of power cord:240 cm

### Dimension and installation

- Dimensions: 183 cm H x 90.5 cm W x 73.1 cm D

### Key features - Freezer section

### Included accessories

### Country Specific Options

- Based on the results of the standard 24-hour test. Actual consumption depends on usage/position of the appliance.

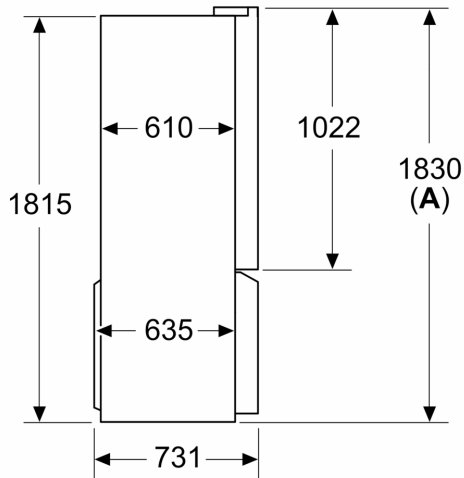
### Design features

### Dimension and installation

### Additional features

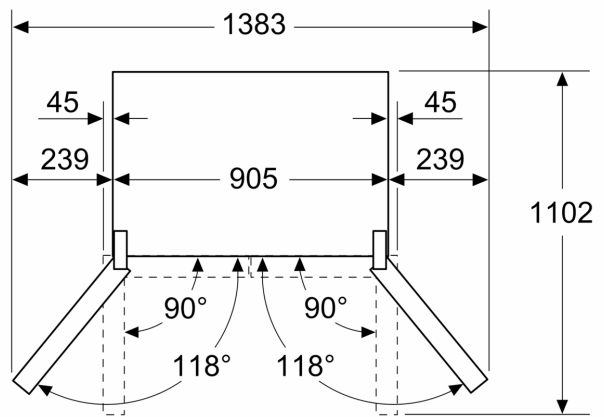
**iQ700, French door bottom  
freezer, multi door, 183 x 90.5  
cm, Brushed black steel  
antiFingerprint  
KF96DPXEA**

Measurements in mm

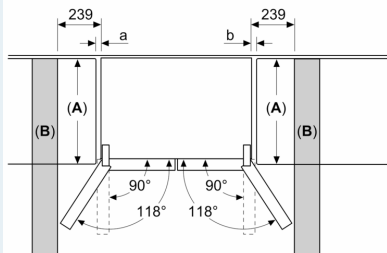


**A:** Front is adjustable 1830–1847 mm, with front levelling feet fully extended

Measurements in mm



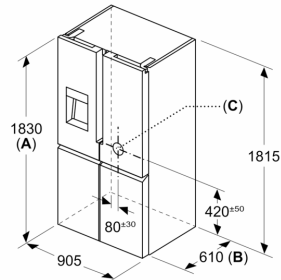
Measurements in mm



A	a	b
≤ 600	0	0
600 < A ≤ 650	45	45
650 < A ≤ 700	60	60
> 700	239	239

**A:** Kitchen cabinet or worktop depth  
**B:** Wall  
Drawers can be pulled and taken out with door open to 90°

Measurements in mm



**A:** Front is adjustable 1830–1847 mm, with front levelling feet fully extended  
**B:** Add 25 mm for fixed spacers on back  
**C:** Water connection position