

SPECIFICATIONS

DESCRIPTION

- 2 fixing points

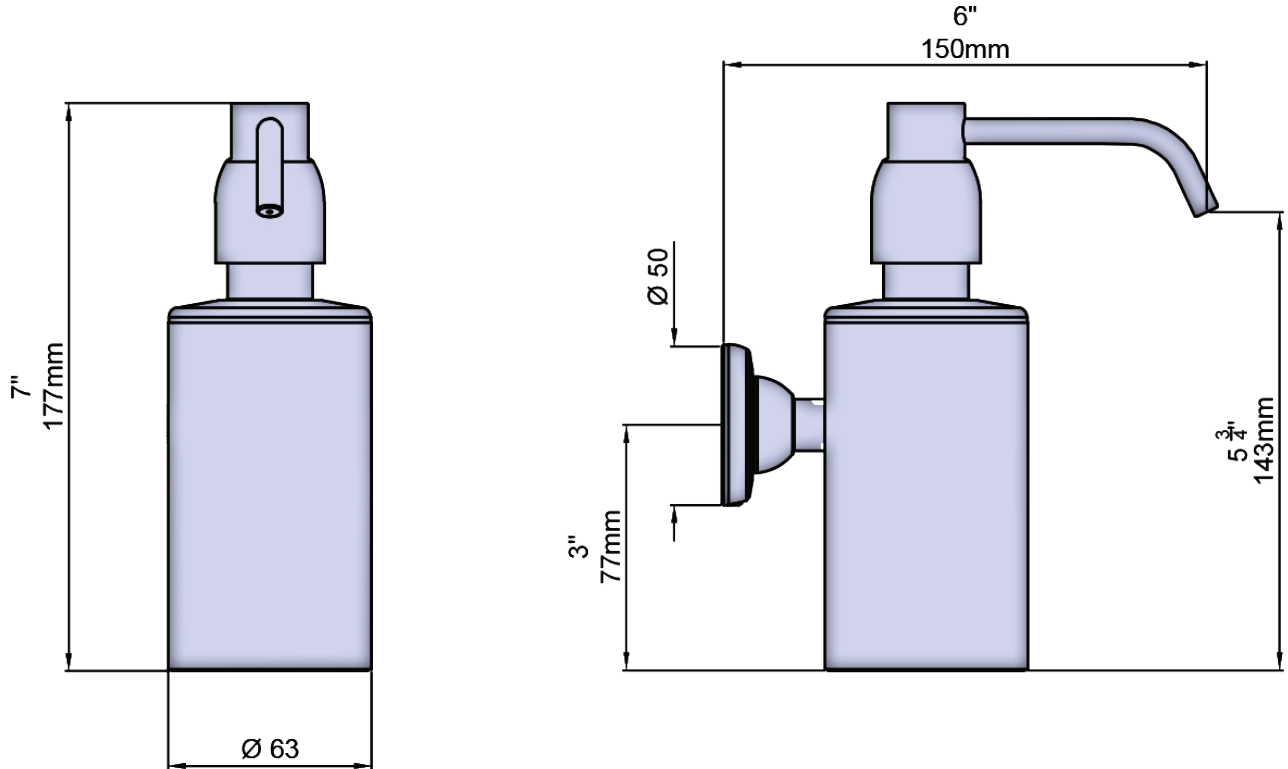
WARRANTY

- www.perrinandrowe.co.uk



Langbourn Wall Mounted Soap Dispenser

MODELS: 6473



+44 (0) 1708 526 361

www.perrinandrowe.co.uk

A DISTINCTIVE MEMBER OF THE HOUSE OF ROHL