

SPECIFICATIONS

DESCRIPTION

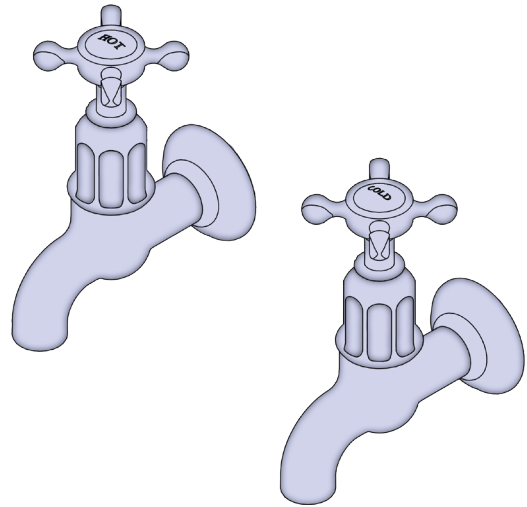
- Quarter turn ceramic cartridges
- G1/2" inlets

FLOW

- Recommended working pressure 0.5 bar/7.5PSI
- Maximum 5 bar/ 75 PSI
- 7L /min at 1 bar
- 14L /min at 3 bar

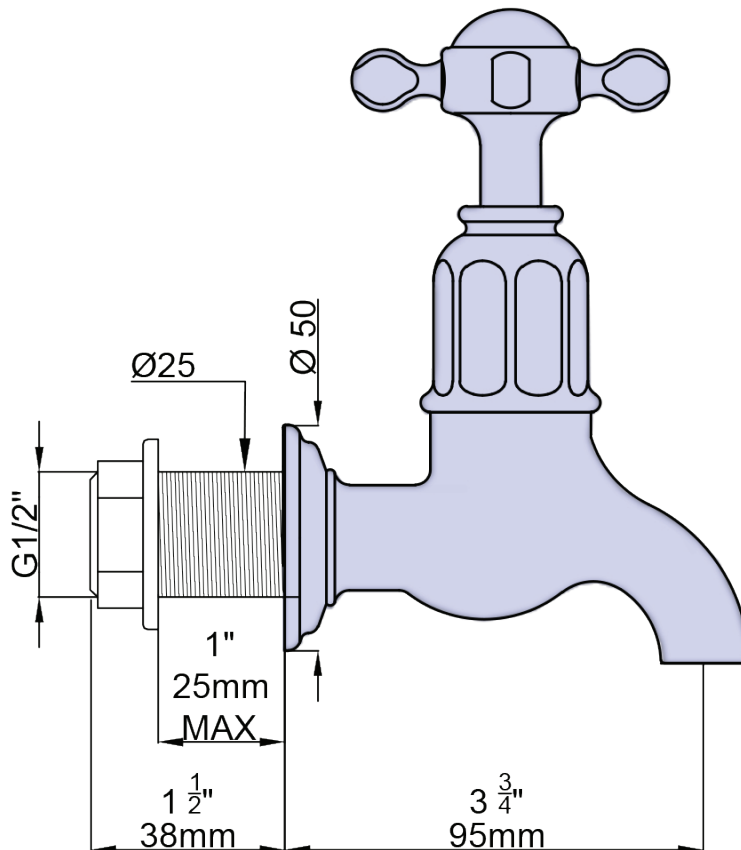
WARRANTY

- www.perrinandrowe.co.uk



Wall Mounted Bibcock Taps

MODELS: 4328



+44 (0) 1708 526 361

www.perrinandrowe.co.uk

A DISTINCTIVE MEMBER OF THE HOUSE OF ROHL