

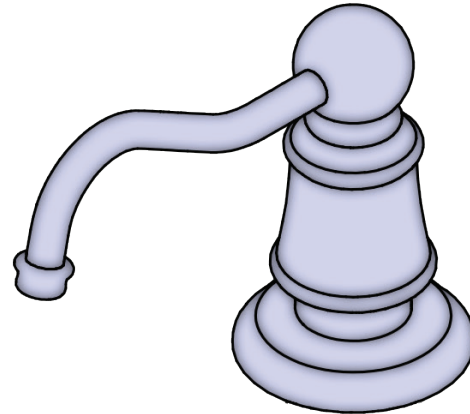
## SPECIFICATIONS

### DESCRIPTION

- Easy top fill option or undermount refill
- Soap dispenser bottle capacity 500ml
- Optional fitted security screw on soap dispenser head

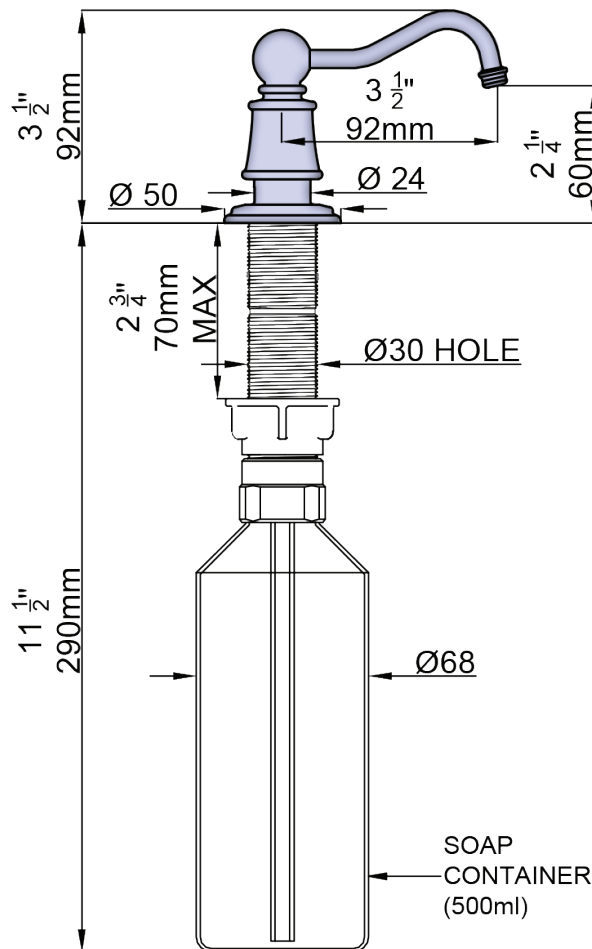
### WARRANTY

- [www.perrinandrowe.co.uk](http://www.perrinandrowe.co.uk)



## Deck Mounted Soap Dispenser

MODELS: 6695



+44 (0) 1708 526 361

[www.perrinandrowe.co.uk](http://www.perrinandrowe.co.uk)

A DISTINCTIVE MEMBER OF THE HOUSE OF ROHL