

SPECIFICATIONS

DESCRIPTION

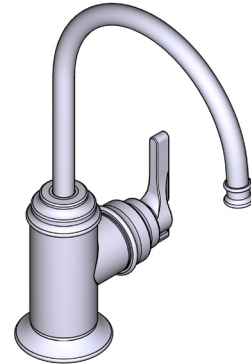
- High quality nano filtration technology with limescale reduction
- Anti-scald lock
- Minimal heat loss
- Open vented system
- Digital temperature control accurate to 0.5°C
- Multiple pre-set temperatures ranging from 75°C to 98°C

FLOW

- Visit www.houseofrohl.design for more details

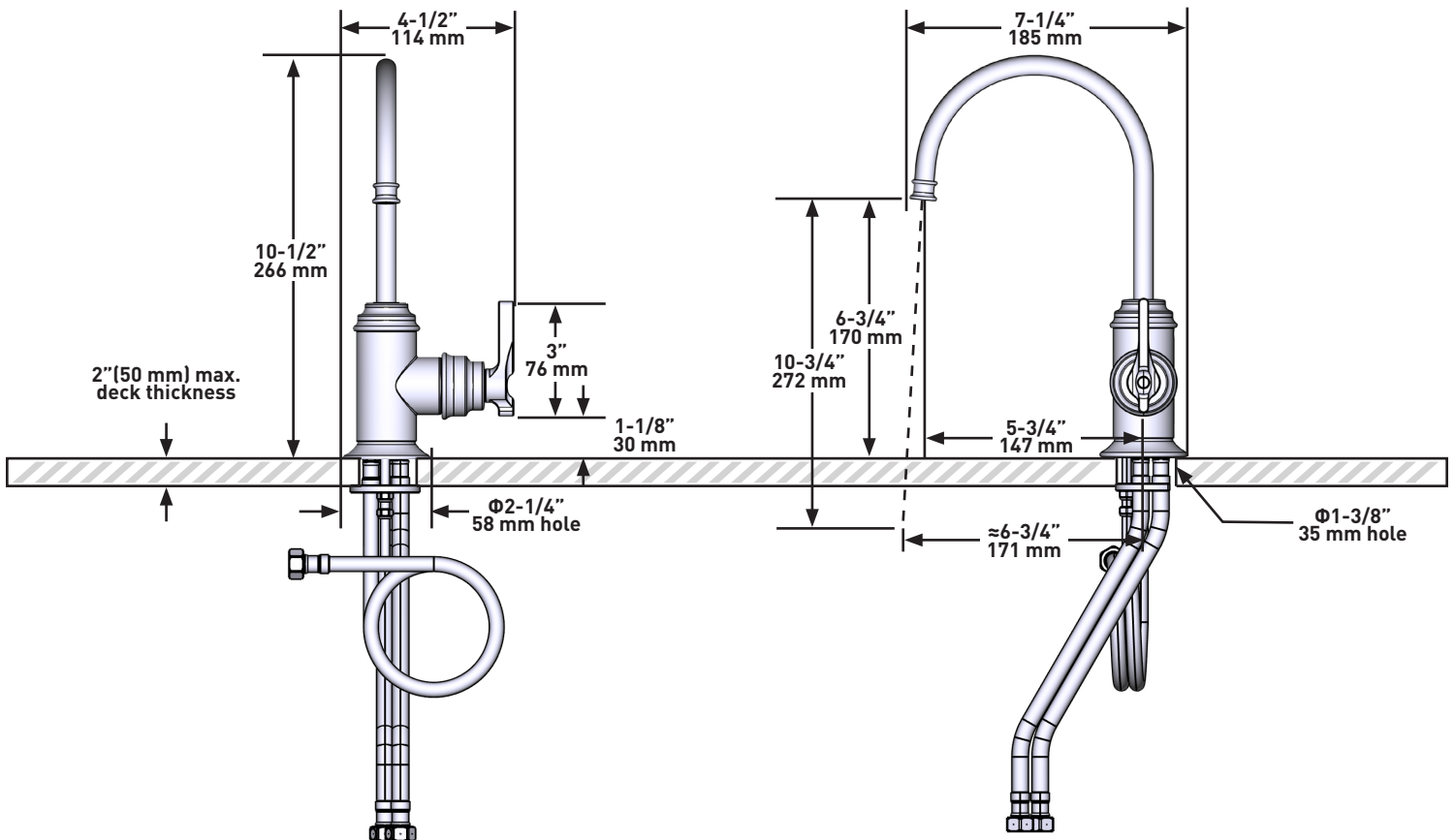
WARRANTY

- Visit www.houseofrohl.design for more details



Southbank™
Mini Instant Hot Water Tap with Filtration

MODELS: 1844



For care and cleaning, product warranty, and additional information contact:

US Customers

U.S.A.
houseofrohl.com/support
1-800-777-9762

QUEBEC / MARITIMES / WESTERN CANADA
QUÉBEC / MARITIMES / OUEST CANADIEN
QUEBEC / MARITIMOS / CANADA OCCIDENTAL
houseofrohl.ca/support
1-866-473-8442

Canadian Customers

ONTARIO
houseofrohl.ca/support
1-800-287-5354

EMEA Customers

www.houseofrohl.design
+44 (0) 1708 526 361