



# CONTEMPORARY COLLECTION

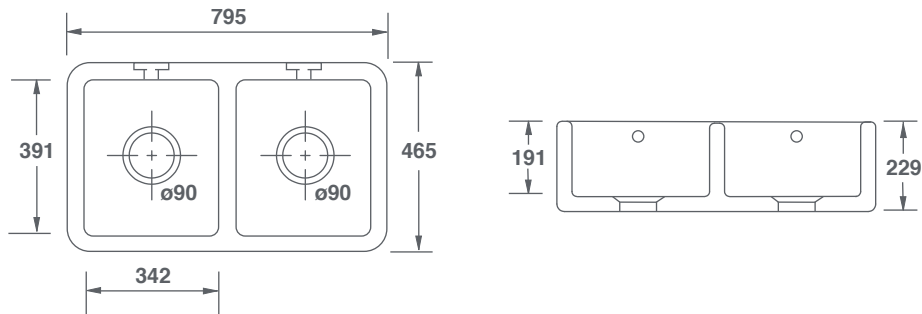
## - DOUBLE BOWL 800 -



### FEATURES

Compact double bowl sink with central dividing wall. Central 3½" waste outlets suitable for basket strainers or waste disposers. Round overflows. Lifetime warranty.

*All our sinks come in a choice of white or biscuit.*



Product	Code	Dimensions					
			W	D	H	Waste	Weight
Double Bowl 800 White	SCLD800WH	(mm)	795	465	229	90	62kg
		(in)	31	18½	9	3½	
Double Bowl 800 Biscuit	SCLD800PN	(mm)	795	465	229	90	62kg
		(in)	31	18½	9	3½	

Please note: All nominal dimensions in mm. Dimensions may vary by +/- 2% due to manufacturing process

For expert advice or to purchase, please contact our Customer Service Team on +44 (0) 1254 775111. Alternatively, we can be contacted via email at [sales@shawsofdarwen.com](mailto:sales@shawsofdarwen.com) or by fax on +44 (0) 1254 873462.