

# Single DishDrawer™ Dishwasher, Tall

Series 7 | Contemporary

Stainless Steel

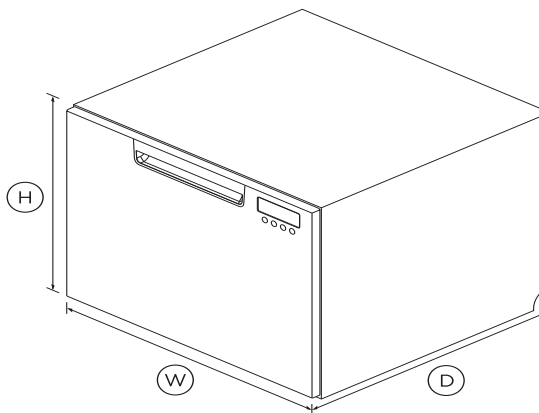


Created with extra height for large dishes and designed to be placed anywhere in your kitchen, for loading dishes with less bending.

- With extra height for taller dishes, and customisable internal shelving
- Six wash programs, as well as additional Quick wash, Sanitise and Extra Dry options
- Built-in water softener improves wash performance by reducing unwanted minerals in the water

## DIMENSIONS

Height	454 mm
Width	599 mm
Depth	573 mm



## FEATURES & BENEFITS

### Easy to use

DishDrawer™ Dishwashers are as easy to open and close as kitchen drawers and can be conveniently positioned at bench height for ease of loading and minimal bending. Flexible racking allows you to make adjustments to fit in a variety of dishes.

### Quick, Sanitise and Extra Dry options

The Quick wash modifier delivers a faster wash while maintaining performance. The Sanitise option provides extra protection killing 99.9% of bacteria in the final rinse. The Extra Dry setting is

perfect for plastic dishes.

### Quiet performer

Running at a very low decibel rate, these DishDrawer™ Dishwashers do their job without making a fuss. The combination of intelligent technology and simple mechanics means greater reliability and excellent wash performance.

### Designed to match

DishDrawer™ Dishwashers are designed to match the Fisher & Paykel family of kitchen appliances, with matching handles, premium styling and quality materials for a stylish finish in your kitchen.

## SPECIFICATIONS

### Accessories

Contemporary round handle	Part number 81645
Cutlery basket	2
Knife clip and multipurpose	•

### Capacity and Loading

Accommodates round plates	310mm
Fold down tines	•
Pitch adjustable tines	•
Place settings	6

### Consumption

Energy consumption	61 kWh per 100 cycles
Energy rating	F
Water consumption per cycle	7.9L

### Controls

Child lock	•
------------	---

- Electronic fault/Diagnostic •
- End of cycle beeps •
- Energy saving delay start •
- Rinse aid indicator light •

**Features**

- Built-in water softener •
- Fan assisted drying •
- Flow through detergent •
- Quiet operation •
- SmartDrive™ technology •

**Performance**

- Airbourne accoustical noise **B**
- Noise on standard cycle top **45dBA**

**Power requirements**

- Amperage **4.2A**

**Product dimensions**

- Depth **573 mm**
- Dimensions (excluding **H454 x W599 x D573 mm**
- Height **454 mm**
- Width **599 mm**

**Warranty**

- Parts and labour **5 years**

**Wash Programs**

- Delicate •

- Extra Dry •
- Fast •
- Heavy •
- Medium •
- Normal eco •
- Number of wash programs **15**
- Quick •
- Rinse •
- Sanitise •
- Sanitise •
- Wash modifiers **3**

SKU 81615

TEST The product dimensions and specifications in this page apply to the specific product and model. Under our policy of continuous improvement, these dimensions and specifications may change at any time. You should therefore check with Fisher & Paykel's Customer Care Centre to ensure this page correctly describes the model currently available. ? Fisher & Paykel Appliances Ltd 2020

**Other product downloads available at fisherpaykel.com**

- [↓](#) User Guide
- [↓](#) Quick Start Guide
- [↓](#) Service & Warranty Booklet
- [↓](#) Installation Guide
- [↓](#) Resources (zip)



**A PEACE OF MIND SALE**

**24 Hours 7 Days a Week Customer Support**

**T 08000 886 605 Wwww.fisherpaykel.com**