

Freestanding Range Cooker, Dual Fuel, 90cm, 5 Burners, Self-cleaning

Series 9 | Contemporary

Stainless Steel



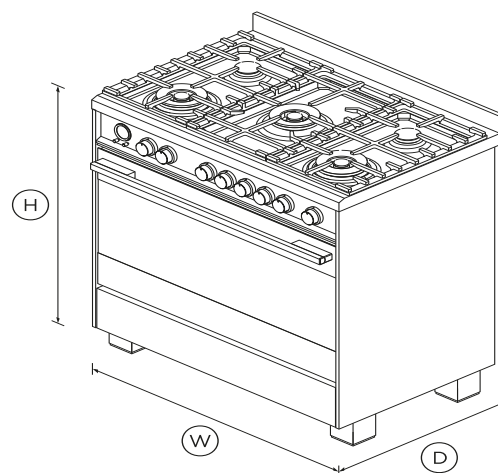
Get the best of both worlds with dual fuel. A gas hob with wok burner is paired with a convection oven with 9 functions.

- Five burner hob with with dual wok burner and two powerful triple ring burners
- Convection oven with 140L total capacity and nine oven functions plus rotisserie, including Pastry Bake™ with pizza mode
- Non-tip full-extension shelves for safe removal of hot dishes

- Pyrolytic self-clean that breaks down food residue for an easy clean

DIMENSIONS

Height	898 - 946 mm
Width	897 mm
Depth	600 mm



FEATURES & BENEFITS

Multi-shelf cooking

Our AeroTech™ system circulates air evenly throughout the entire oven so dishes on the top shelf turn out just as perfect as food cooking on the bottom shelf.

Quality and durability

Every detail has been carefully crafted. The solid, perfectly

balanced soft-close door, precise electric temperature control and chromed cast zinc dials all add up to an exceptional, premium range.

Burner power & control

Instant and immediate control from the highest to the gentlest heat. The finely tuned hob controls let you sear, stir fry or simmer a delicate sauce to perfection.

Easy to clean

Cleaning up spills is effortless. Your hob simply needs a quick wipe to keep it looking good as new. The pyrolytic self-clean oven cycle breaks down food residue at a very high temperature, leaving a light ash that's easily removed with a damp cloth.

Even heat

Accurate, electronically-controlled oven heat ensures a great result every time.

Large capacity oven

The generous 140L total capacity oven gives you plenty of space to cook multiple dishes at once.

SPECIFICATIONS

Accessories

Flat wire shelf	•
Full extension sliding shelves	2 sets (part 578744)
Grill rack	•
Kick strip, stainless steel	Part 81661
Pyrolytic proof shelf runners	1 set
Roasting dish	•
Rotisserie set	•
Small pot support	1 (part 533981 cast)
Step down wire shelf	•
Wok stand	1 (part 534678)

Capacity

Total capacity	140L
----------------	-------------

Cleaning

Acid resistant graphite enamel	•
Drop down grill element	•
Pyrolytic proof shelf runners	•
Pyrolytic self-clean	•
Removable oven door	•
Removable oven door inner	•
Removable shelf runners	•

Consumption

Energy rating	A
---------------	----------

Controls

Audio feedback	•
Automatic cooking/minute	•
Automatic pre-set	•
Celsius/Fahrenheit	•
Electronic clock	•
High resolution display	•
Interior light	•
Laser etched graphics	•
Precise electronic temperature	•
Sabbath mode	•
Turned stainless steel clock	•
Turned stainless steel clock	•
Turned stainless steel dials	•

Main oven features

Capacity usable	120L
Shelf positions	6

Oven features

AeroTech™ technology	•
Automatic rapid pre-heat	•
Electronic oven control	•
Full extension telescopic	2 sets (part 578744)
Internal light	4 x 25W halogen (2 side & 2
Pyrolytic proof shelf runners	•
Pyrolytic self-clean	•
Soft open/close door	•
True convection	•
Twin cavity fans	•
Warming drawer	•

Oven functions

Bake	•
Energy slow cook	•
Fan bake	•
Fan forced	•
Fan grill	•
Grill	•
Number of functions	9 + Rotisserie
Pastry Bake with Pizza mode	•
Roast	•
Rotisserie	•

Oven performance

CoolTouch door	Quadruple glazed
Grill power	4500W
Warming drawer power	202W

Power requirements

Amperage	23A
Supply frequency	50Hz
Supply voltage	220 - 240V

Product dimensions

Depth	600 mm
Height	898 - 946 mm
Installation cutout dimensions	600 mm
Installation cutout dimensions	900 mm
Width	897 mm

Hob Features

Brass burner spreader (power	•
Dishwasher safe trivets	•
Embossed brass burner cap	•
Hob rear trim	60mm
LPG/Natural gas compatible	•
Sealed range top	•

Hob Performance

Dual wok burner inner/outer	0.3 - 4.5kW
Dual wok burner inner/outer	0.4 - 4.5kW
Max burner power	4.5kW
Number of burner elements	5
Semi-rapid burner (LPG) x2	0.45 - 1.2kW

Semi-rapid burner (natural)	0.45 - 1.2kW
Total cooktop power	14.9kW
Triple ring wok burner (LPG)	1.8 - 4kW
Triple ring wok burner (natural)	1.8 - 4kW

Safety

Advanced cooling system	•
Anti-tilt bracket	•
Balanced oven door	•
Catalytic venting system	•
CoolTouch door	•
Flame failure system	•
Full extension telescopic	•
Non-tip shelves	•
Spill containment	2.6L

Warranty

Parts and labour	5 years
------------------	----------------

SKU	81698
-----	--------------

Other product downloads available at fisherpaykel.com

- [↓](#) User Guide
- [↓](#) Service & Warranty Booklet
- [↓](#) Installation Guide
- [↓](#) Installation Guide (KICK-STRIP ATTACHMENT)



A PEACE OF MIND SALE

24 Hours 7 Days a Week Customer Support

T 08000 886 605 W www.fisherpaykel.com

TEST The product dimensions and specifications in this page apply to the specific product and model. Under our policy of continuous improvement, these dimensions and specifications may change at any time. You should therefore check with Fisher & Paykel's Customer Care Centre to ensure this page correctly describes the model currently available. ? Fisher & Paykel Appliances Ltd 2020