

iQ300, Built-in fridge-freezer with freezer at bottom, 177.2 x 54.1 cm KI87VVE0G



Built-in refrigerator-freezer with hyperFresh to keep fruit and vegetables fresh longer and LED lights for brilliant illumination of the fridge's interior.

- ✓ Fruit and vegetables stay fresh for longer in the hyperFresh drawer thanks to the humidity slider
- ✓ The LED lights up the interior brightly and evenly.
- ✓ Less frost formation and faster defrosting with lowFrost.
- ✓ bottleRack: Store bottles safely
- ✓ The bigBox offers plenty of space to store and stack large frozen items efficiently.

Features

Technical Data

Energy Efficiency Class (Regulation (EU) 2017/1369): E
 Average annual energy consumption in kilowatt hour per year (kWh/a) (EU) 2017/1369: 216
 Sum of volume of frozen compartments (EU 2017/1369): 70
 Sum of volume of chill compartments (EU 2017/1369): 200
 Airborne acoustical noise emissions (EU 2017/1369): 35
 Airborne acoustical noise emission class (EU 2017/1369): B
 Construction type: Built-in
 Door panel options: Not possible
 Width of the appliance: 541
 Depth of the product: 548
 Required niche size for installation (HxWxD): 1775.0 x 560 x 550
 Net weight (kg): 53.063
 Current (A): 10
 Door hinge: Right reversible
 Voltage (V): 220-240
 Frequency (Hz): 50
 Approval certificates: CE, VDE
 Length of electrical supply cord (cm): 230
 Storage Period in Event of Power Failure (h): 12
 Number of compressors: 1
 Number of independent cooling systems: 1
 Interior ventilator: No
 Reversible Door Hinge: Yes
 Number of Adjustable Shelves in fridge compartment (Stck): 4
 Shelves for Bottles: Yes
 Frost free system: No
 Installation type: Full-integrated
 Type of hinge: Flush-folding

Included accessories

- 3 x egg tray
- 1 x ice cube tray



iQ300, Built-in fridge-freezer with freezer at bottom, 177.2 x 54.1 cm KI87VVFEOG

Features

- KI87VVFEOG
- easy Installation

Functions

- Bright interior LED fridge light

Design features

- Electronic control (LED chain)
- 1 compressor/1 cooling circuit
- superFreeze function with automatic deactivation
- acoustic alarm

Design features

- 5 safety glass shelves in fridge compartment of which 4 are height adjustable
- 1 removable door storage compartments.
- 4 door bins
- Bottle rack

Freshness System

- 1 hyperFresh box with integrated humidity control
-

Food freshness system

- 2 transparent freezer drawers, 1 bigBox

Dimension and installation

- Dimensions: 177.2 cm H x 54.1 cm W x 54.8 cm D
- Niche Dimensions: 177.5 cm H x 56 cm W x 55 cm D

Key features - Fridge section

- Right hinged door, door reversible
- 220 - 240 V

Key features - Freezer section

- 3 x egg tray, 2 x ice cube tray

Country Specific Options

- Based on the results of the standard 24-hour test. Actual consumption depends on usage/position of the appliance.

Design features

Dimension and installation

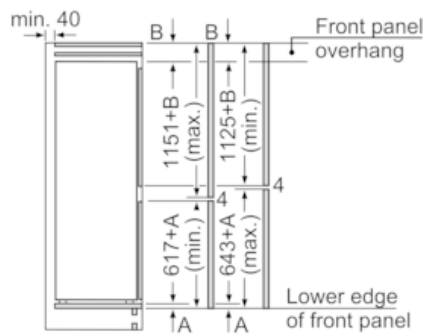
Additional features

Performance and Consumption

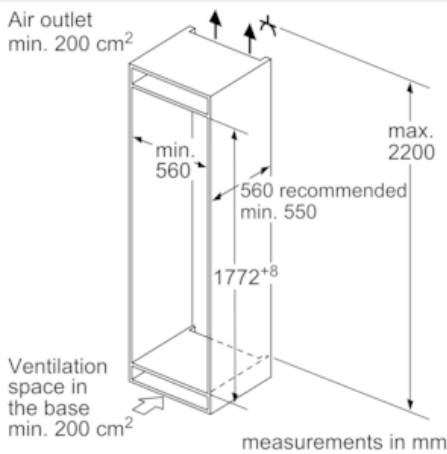
- EU19_EEK_D: E
- Total Volume : 270 l
- Net Fridge Volume : 200 l
- Net Freezer Volume : 70 l
- Net 4* compartment volume : 70 l
- Freezing capacity 24h : 3.2 kg
- Annual Energy Consumption: 216 kWh/a
- Climate Class: SN-ST
- Noise Level : 35 dB
- Temperature rise time : EU19_Temperature rise time_D: 12 H

**iQ300, Built-in fridge-freezer with freezer at bottom, 177.2 x 54.1 cm
KI87VVFE0G**

Dimensioned drawings



The specified unit door dimensions are valid for a door gap of 4 mm.
measurements in mm



measurements in mm
Recommended gap dimensions for flat hinges

	F	R	X
16-19	20	0-3	2.5
		2-3	2.5
21	20	0-1	3
		2-3	2.5
22	20	0	4
		1	3.5
		2-3	3

The gap dimensions recommended in the table must be adhered to in order to ensure that appliance doors do not collide with anything when they are opened, and to avoid causing damage to kitchen units.