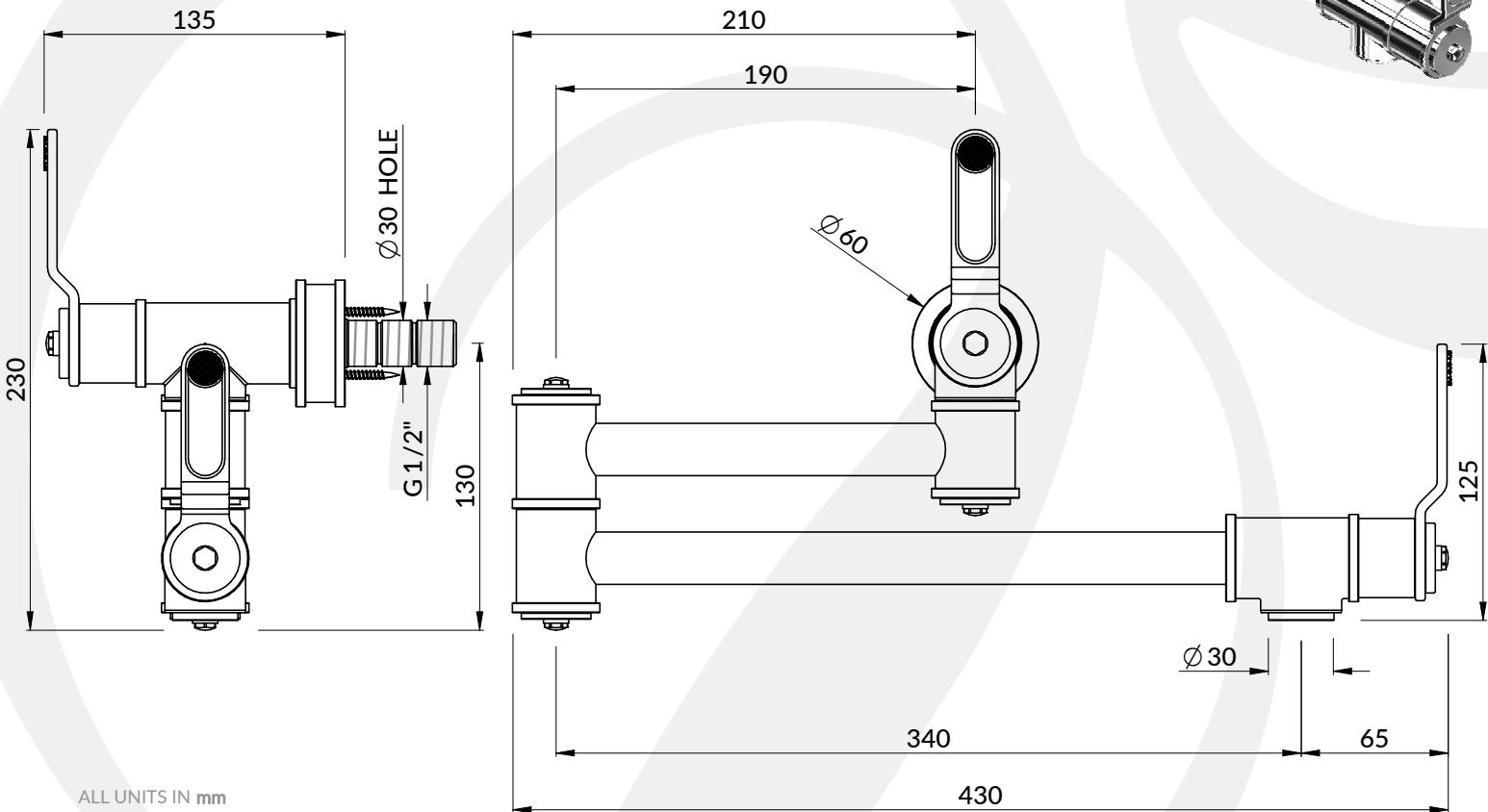
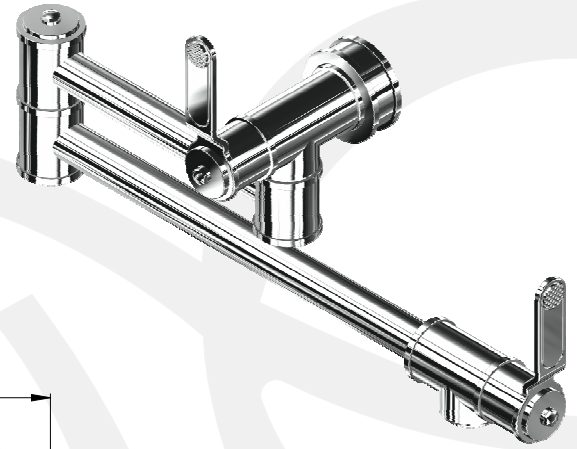


• SPECIFICATION •

• 4599HT - ARMSTRONG POT FILLER / TEXTURED HANDLES

- Handcrafted in the UK
- 1/4 turn ceramic disc flow control
- Vernier insert for accurate handle alignment
- Unique handle construction with integral bearing ring
- Fully Extended Reach 600mm
- Mounting wall plugs/screws and plate supplied
- Concealed wall fixings



ALL UNITS IN mm
UNLESS OTHERWISE
STATED

Available Finishes:

- Chrome
- Nickel
- Pewter
- Polished Brass
- Satin Brass
- Aged Brass
- Gold
- English Bronze

• **Temp Range:**
Min 1°C / 34°F
Max 70°C / 158°F

• **Recommended Working Pressure:**
Min 1bar / 15psi
Max 5bar / 75psi

• **Packed Weight:**
tbc

Available Options:

- 6595 - Matching soap dispensers
- 4599HS - Pot Filler (Smooth Handles)
- 5.7L/min flow regulated (Prefix AR.)

Flow Rates:

- 1 Bar: 4.4 L/Min
- 2 Bar: 7.2 L/Min
- 3 Bar: 8.1 L/Min