



Fitting type: Undermount or Inset

Sink handing: Reversible

Finish style: Brushed steel

- **Min. base unit (mm):** 450 or 600
- **Packaged size L x W x D:** 540 x 340 x 280mm
- **Supplied boxed or sleeved:** Boxed - brown
- **Boxed weight:** 6.38 kg
- **Sink only weight:** 5.34 kg

- Durable stainless steel construction throughout
- Softened square edges for a sharp but easy clean look
- Smooth lined luxury Orbit waste supplied as standard
- Can be fitted as undermount or inset
- Designed to be installed lengthways or widthways on

Included parts:



1 x AX1001 (m)
90mm (1.5") Orbit manual basket
strainer waste - short bolt



1 x AX1008 (m)
1.0 Bowl pipework



1 x AX1105 (m)
Rectangular overflow (55x30mm
vertical)



1 x AX1118 (m)
Undermount clips x 6



1 x AX1505 (m)
Studio Colander



1 x AX1506 (m)
Studio Drainer



1 x AX1507 (m)
Studio Mini Bowl

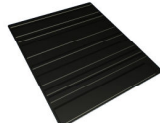


1 x AX4045 (m)
Fitting & care instructions & data sheet
- st/st inset/undermount

Recommended accessories:



1 x AX2503
High & Dry drainer rack - White and
grey



1 x AX2501
Silicone drainer mat 330 x 390mm

All accessories can be purchased directly from www.abode-shop.co.uk or phone 01226 283434

Materials and workmanship warranty summary:

- Sink materials & workmanship 10 years.
- Waste kits 1 year.
- Connecting pipework 1 year.

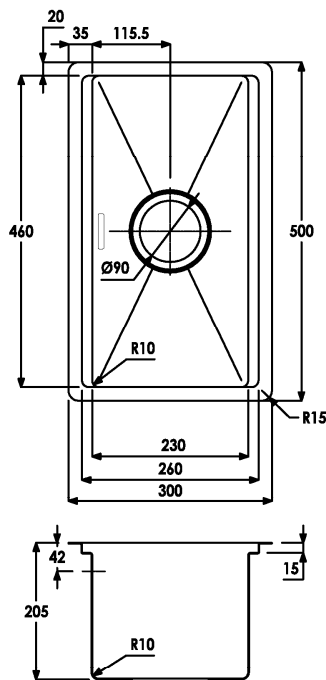
Care instructions:

- Clean the products regularly using soapy water and a non abrasive cloth, regular cleaning will prevent the build up of lime scale and dirt.
- Avoid contact with corrosive or abrasive substances.
- After cleaning rinse thoroughly with clean water then dry.
- For more detail see supplied booklet or www.abodedesigns.co.uk

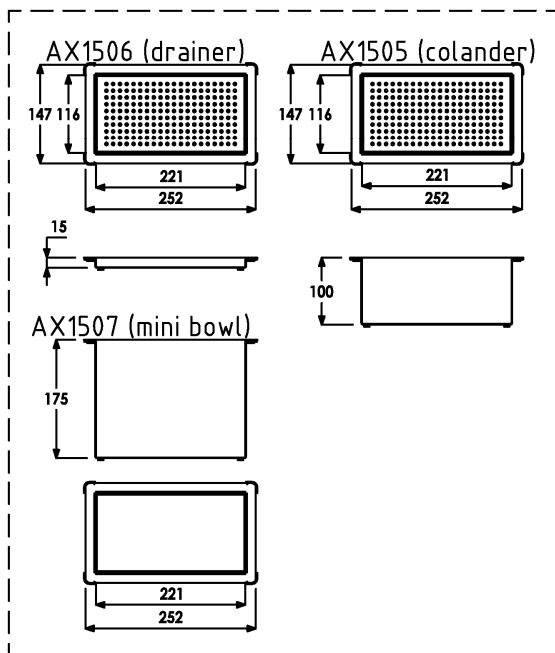
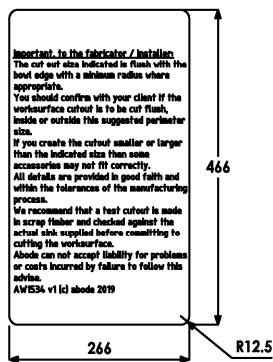
Product dimensions and installation information: note:



symbol indicates position of acoustic pad on stainless products.



UNDERMOUNT CUT OUT



INSET CUT OUT

Inserted to the fabricator / installer:
The cut out size indicated is flush with the bowl edge with a minimum radius where appropriate.
You should confirm with your client if the worksurface cutout is to be cut flush, inside or outside this suggested perimeter size.
If you create the cutout smaller or larger than the indicated size then some accessories may not fit correctly.
All details are provided in good faith and within the tolerances of the manufacturing process.
We recommend that a test cutout is made in scrap timber and checked against the actual sink supplied before committing to cutting the worksurface.
Abode can not accept liability for problems or costs incurred by failure to follow this advice.
AW5134 v1 (c) abode 2019

Additional notes:

Overall product size: 500 x 300 x 205 corner radius 15mm

Tap hole(s) detail: None

Compatibility with large square taps:

Wastehole(s) detail (mm): 90 / N/A / N/A (nb. 90mm wastes accept a waste disposal unit)

Min. base unit (refers to space required for bowl, tap and overflow only): fits 450 or 600mm carcass

Min. Recessed fitting width: required (bowl(s), tap and overflow): 465 or 263 mm

***Worktop cut out size:** 466x266 corner radius 12.5mm, for .DXF cut files please see www.abode.eu

Min. & Max worktop depth or clip depth reach range: 0 - 0mm

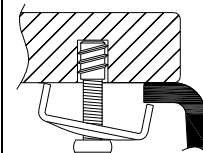
Fitting temple supplied? No, use cut out instructions as supplied

Dishwasher under drainer? Distance from top of worktop to underside of the drainer 15mm



***Important, fabricator / installer notes for undermount & flushmount sinks:**

The cut out size indicated is aligned with outside edge of the bowl top radius (see example below).



You should confirm with your client if the worksurface cutout is to be cut flush, inside or outside this suggested perimeter shape & size.

If you create the cutout smaller or larger than the indicated size then the fit of the accessories may be affected and should be physically checked.

General:

All details are provided in good faith but do not include the tolerances of the material or manufacturing process.

We request that a test cutout is made in scrap timber and checked against the actual sink to be installed before committing to cutting the final worksurface.

Abode can not accept liability for problems or costs incurred by failure to follow this request.

Note: the dimensions on ceramic fireclay products are subject to wider tolerances due to the nature of this natural material and the firing process.

CAD cutout files can be downloaded from www.abodedesigns.co.uk

Bowl details: (sizes in mm unless specified otherwise)

Bowl 1 (typically main bowl):

Bowl 1 size L x W x D (mm): 460 x 230 x 205

Bowl 1 construction: Welded, 1.00mm

Bowl 1 floor radius (mm): 10

Bowl 1 Wastehole diameter (mm): 90

Bowl 1 overflow: Rectangular flush

Bowl 1 texture: Brushed stainless

Bowl 1 apx. volume (litres): 16.90

Bowl 2 (typically 1/2 or 3/4 bowl):

Bowl 2 size L x W x D (mm): N/A x N/A x N/A

Bowl 2 construction: N/A, N/Amm

Bowl 2 floor radius (mm): N/A

Bowl 2 Wastehole diameter (mm): N/A

Bowl 2 overflow: N/A

Bowl 2 texture: N/A

Bowl 2 apx. volume (litres): N/A

Bowl 3:

Bowl 3 size L x W x D (mm): N/A x N/A x N/A

Bowl 3 construction: N/A, N/Amm

Bowl 3 floor radius (mm): N/A

Bowl 3 Wastehole diameter (mm): N/A

Bowl 3 overflow: N/A

Bowl 3 texture: N/A

Bowl 3 apx. volume (litres): N/A