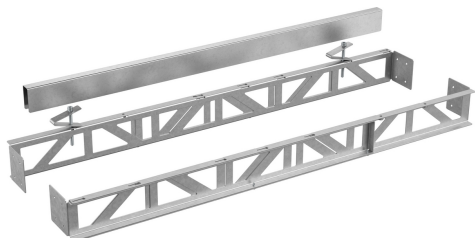


Installation accessory LZ29WWY12



- ✓ LZ29WWY12
- ✓ Mounting kit for seamless installation
- ✓ Fits 90cm Glassdraft
- ✓ Consisting of a two-part, extendable base frame and a connecting strip for a seamless installation of Glassdraft and a matching design Hob. Allows two appliances to be installed in one worktop cut-out.

Dimensions of the packed product (HxWxD): . 108 x 387 x 1185 mm
Pallet dimensions: 160.0 x 80.0 x 120.0
Standard number of units per pallet: 26
Weight: 3.0 kg
Gross weight: 4.7 kg
EAN code: 4242003892527



Installation accessory LZ29WWY12

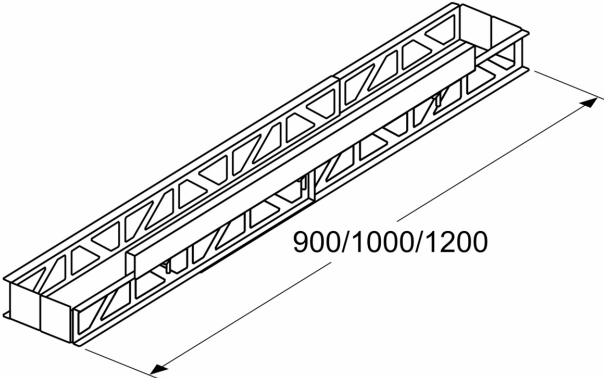
- LZ29WWY12
- Mounting kit for seamless installation

Optional accessories

- Fits 90cm Glassdraft
- Consisting of a two-part, extendable base frame and a connecting strip for a seamless installation of Glassdraft and a matching design Hob. Allows two appliances to be installed in one worktop cut-out.

Installation accessory
LZ29WWY12

measurements in mm



measurements in mm

